

11938SB (旧 4715HS)

119[□]X38^L

AC Axial Fan



General Specifications

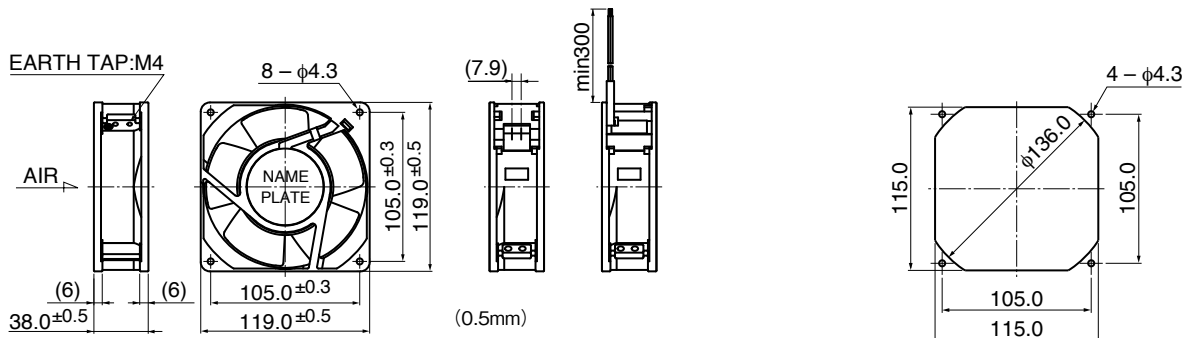
Motor Structure	Shaded Pole Induction Motor
Motor Protection	Thermal Protection
Insulation Resistance	Min 100MΩ by DC 500V Megger
Dielectric Withstand Voltage	AC1800V 3s
Allowable Ambient Temperature Range	- 10°C ~ + 65°C (Operating) - 40°C ~ + 70°C (Storage) non-condensing environment

Expected Life ※ Failure Rate: 10% (L10 Life)
25°C 100,000 (Hours)

Outline

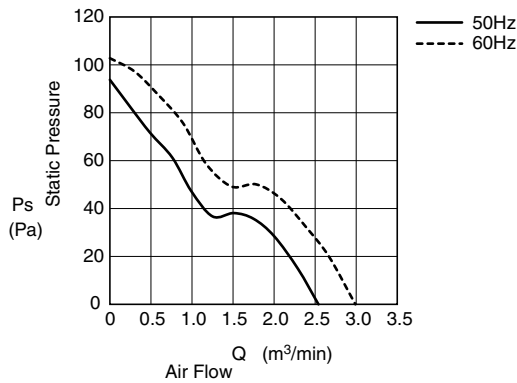
Panel Out-cuts

(Inlet Side) / (Outlet Side)



* Only flange type casing is available.

Characteristic Curves



Material

Casing	: Aluminum (Black Painting)
Impeller	: Plastic (Black) UL94V-0
Bearing	: Ball Bearing
Terminal	: Faston #110 or Equiv

* Potting type (dust & water-proof type) is also available.

Lead Wire type is also available.
Lead Wire : UL3398 AWG22

Specifications

Model	Product No.	Rating Voltage	Frequency	Starting Voltage	Current	Input Power	Speed	Max. Air Flow		Max. Static Pressure		Noise	Mass
		(V)	(Hz)	(V)	(A)*2	(W) ^{+10% -20%}	(min ⁻¹)*3	(m ³ /min)*1	(CFM)*1	(Pa)*1	(In H ₂ O)*1	(dB)*1	(g)
11938SB-A0N-NP-	00	100	50	65	0.370	18.0	2600	2.60	92.9	94.0	0.38	40.0	570
			60		0.290	15.5	3100	3.00	107.1	100.0	0.40	44.0	
11938SB-A1N-NP-	00	115	50	75	0.320	18.0	2600	2.60	92.9	94.0	0.38	40.0	
			60		0.250	15.5	3100	3.00	107.1	100.0	0.40	44.0	
11938SB-B0N-NP-	00	200	50	130	0.180	18.0	2600	2.60	92.9	94.0	0.38	40.0	
			60		0.150	15.5	3100	3.00	107.1	100.0	0.40	44.0	
11938SB-B2N-NP-	00	220	50	145	0.160	18.0	2600	2.60	92.9	94.0	0.38	40.0	
			60		0.130	15.5	3100	3.00	107.1	100.0	0.40	44.0	
11938SB-B3N-NP-	00	230	50	175	0.160	18.0	2600	2.60	92.9	94.0	0.38	40.0	
			60		0.120	15.5	3100	3.00	107.1	100.0	0.40	44.0	
11938SB-B4N-NP-	00	240	50	175	0.150	18.0	2600	2.60	92.9	94.0	0.38	40.0	
			60		0.120	15.5	3100	3.00	107.1	100.0	0.40	44.0	

Rotation: Counterclockwise as seen from the label side
Airflow Outlet: Label side

*1: Average Values in Free Air
*2: Maximum Values in Free Air
*3: Minimum Values in Free Air