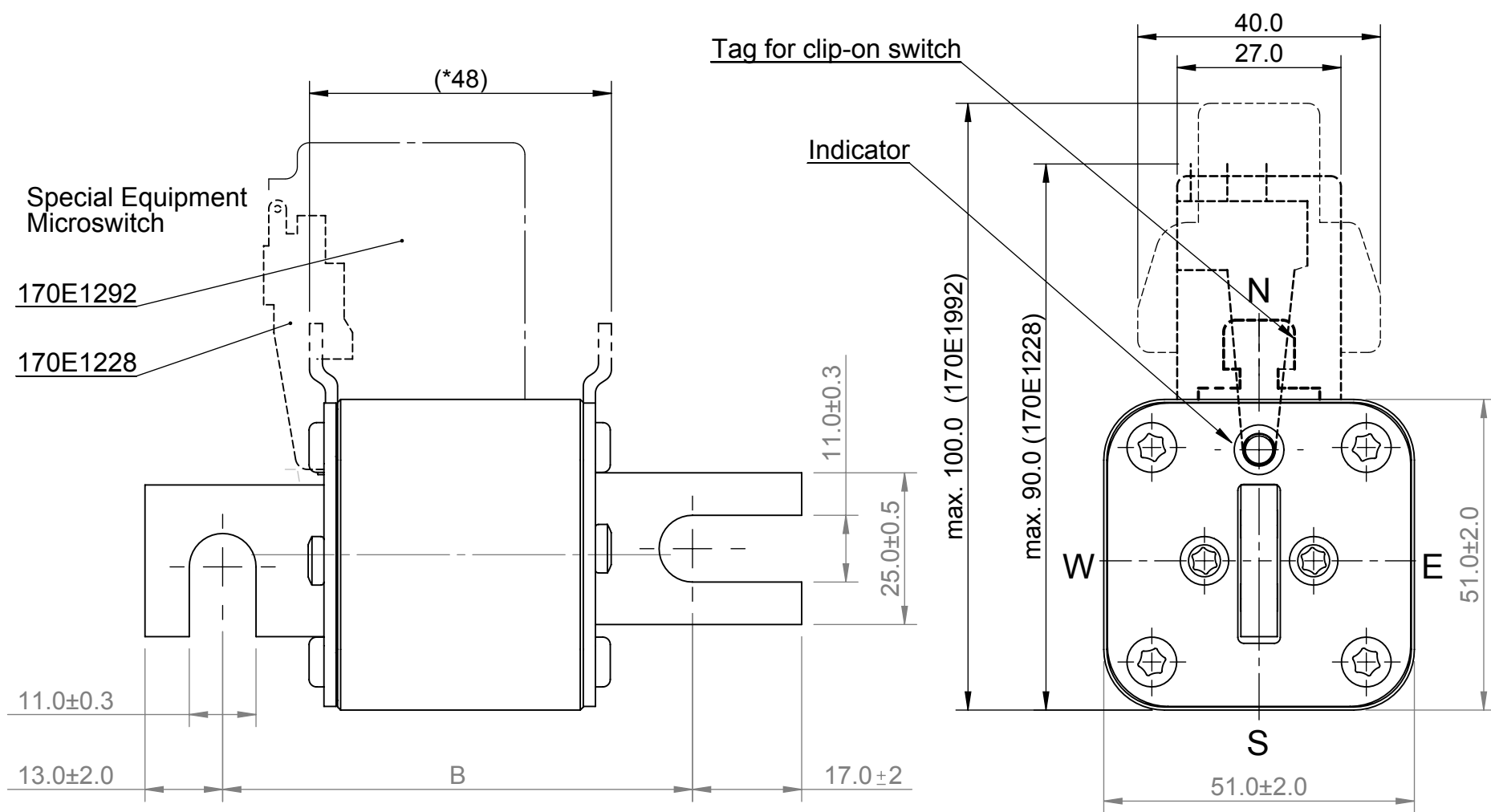
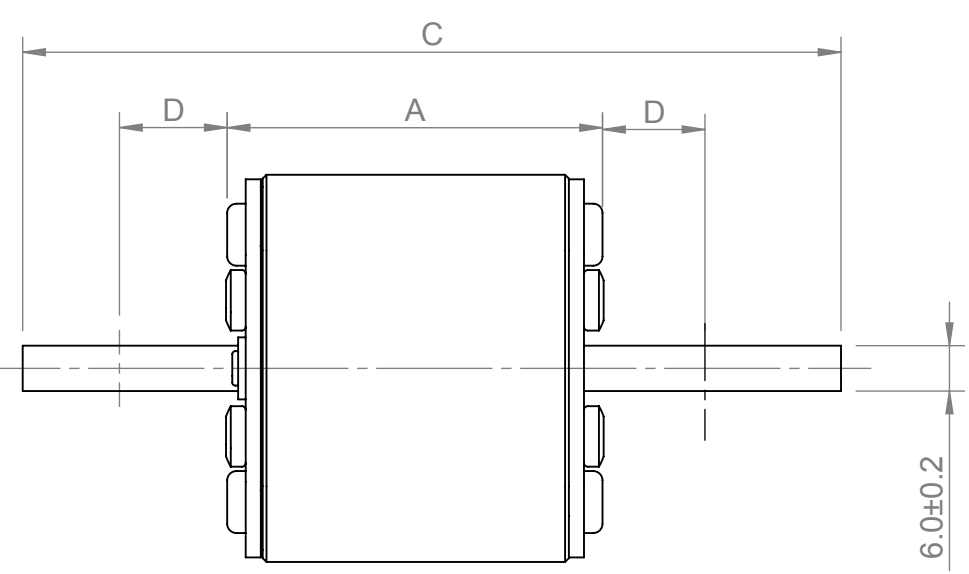
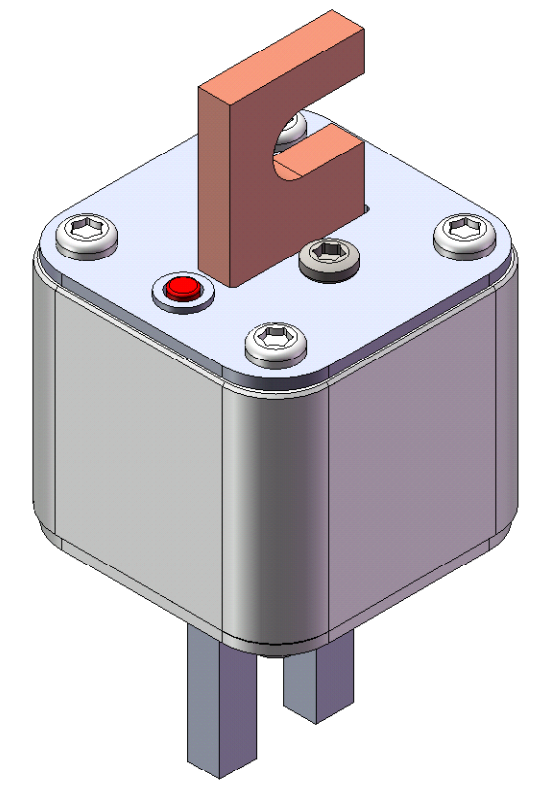


REVISION

REV	DESCRIPTION	BY	DATE	CHANGE NO.
B	DANISH HSF OUTLINE DRAWINGS UPDATE, FINAL CORRECTIONS ON DRAWING TEMPLATE	KVS	16/09/2010	15608



POS.	TYPE	TYPE For Clip-on Micro Switch	A MAX.	B mm	C MAX.	D mm	Rem.
1	1 / 80	1T / 80	50	78 ± 2	108	14 ± 2	Tags for * handle
2	1 / 110	1T / 110	50	108 ± 2	138	29 ± 2	
3	1 / 110	1T / 110	80	108 ± 2	138	14 ± 2	
4		1S / 110	50	108 ± 2	138	29 ± 2	
5	1 / 140	1T / 140	80	138 ± 2	168	29 ± 2	
6	1 / 140	1T / 140	110	138 ± 2	168	14 ± 2	
7	1 / 170	1T / 170	110	168 ± 2.5	198	29 ± 2	
8	1 / 170	1T / 170	140	168 ± 2.5	198	14 ± 2	
9	1 / 210	1T / 210	180	208 ± 3	238	14 ± 2	
10	1 / 480	1T / 480	452	480 ± 5.5	510	14 ± 2	
11	1 / 315	1T / 315	288	316 ± 5	346	14 ± 2	



MODEL VERSION: 00 MODEL SOURCE FILE: U0056	MATERIAL: VARIOUS	<small>UNLESS OTHERWISE SPECIFIED, ALL DIMENSIONS ARE IN MILLIMETERS.</small> TOLERANCES UNLESS OTHERWISE SPECIFIED: GENERAL ± 0.2mm ANGULAR ± 1°			COOPER Bussmann (UK) Ltd Burton-on-the-Wolds, Leics, LE12 5TH Tel +44 1509 882 600 Fax +44 1509 882786	
	FINISH: NONE		UNCONTROLLED COPY	TITLE: HIGH SPEED FUSE SIZE 1 DIN 43653		
	SURFACE AREA: VARIOUSmm²	THIS DRAWING IS CONFIDENTIAL AND THE COPYRIGHT OF COOPER BUSSMANN AND MUST NOT BE COPIED OR PASSED ON TO A THIRD PARTY WITHOUT WRITTEN CONSENT	DWG NO: 170X0308		ANGLE: FIRST	REV: B
	VOLUME: 77234.09mm³ MASS: 141.65g		DRAWN BY: NS	CHECKED BY: JM	DATE: 30/03/09	SCALE: 1:1