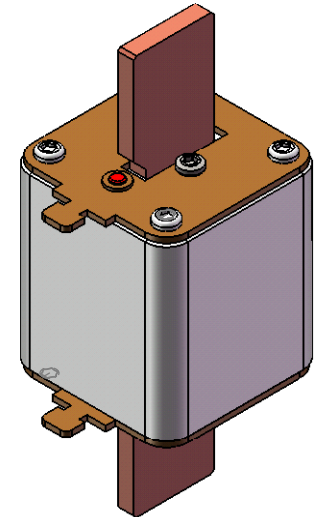
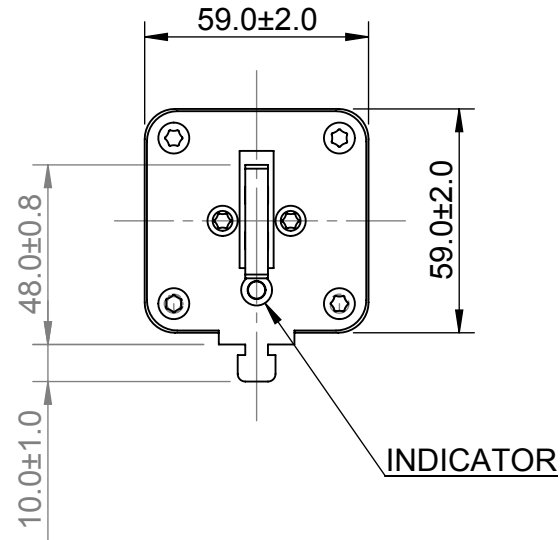
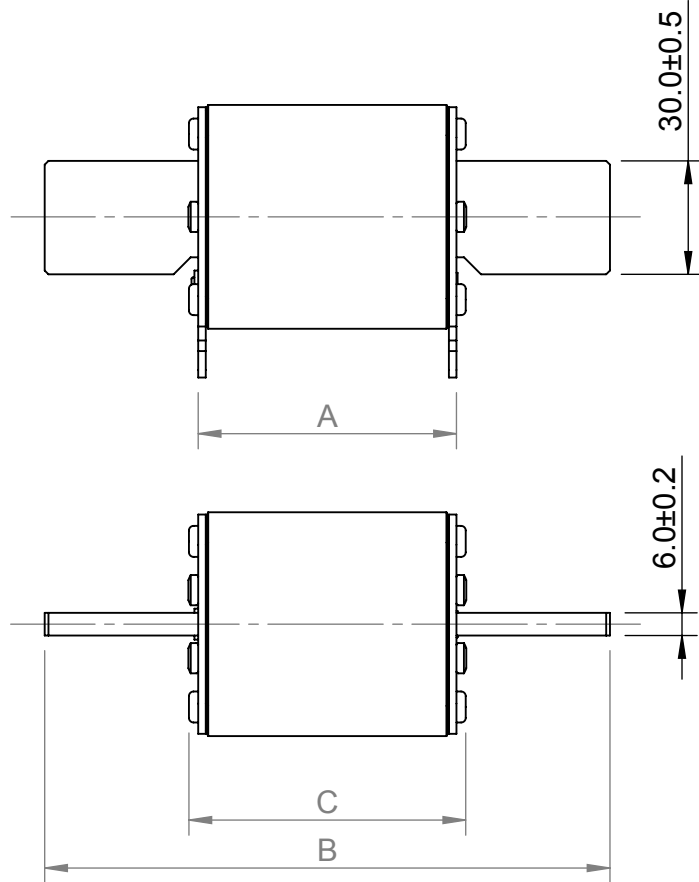


REVISION

REV	DESCRIPTION	BY	DATE	CHANGE NO.
A	REDRAWN IN SW : FIRST ISSUE	SMN	08/05/2010	14008



Pos.	Type	A	B	C
1	2SHT	69 ± 2.5	150 ± 2.5	74 ± 2.5
2	2SHT	45 ± 1.5	150 ± 2.5	50 ± 1.5

MODEL SOURCE FILE: <b>U0416</b> MODEL VERSION: <b>00</b>	MATERIAL: <b>VARIOUS</b>	UNLESS OTHERWISE SPECIFIED, ALL DIMENSIONS ARE IN MILLIMETERS. TOLERANCES UNLESS OTHERWISE SPECIFIED: GENERAL ± 0.2mm ANGULAR ± 1° <b>UNCONTROLLED COPY</b> THIS DRAWING IS CONFIDENTIAL AND THE COPYRIGHT OF COOPER BUSSMANN AND MUST NOT BE COPIED OR PASSED ON TO A THIRD PARTY WITHOUT WRITTEN CONSENT	COOPER Bussmann (UK) Ltd Burton-on-the-Wolds, Leics, LE12 5TH Tel +44 1509 882 600 Fax +44 1509 882786			
	FINISH: <b>NONE</b>		<b>COOPER Bussmann</b> TITLE: <b>HIGH SPEED FUSES SIZE 2 TOP INDICATOR</b>			
	SURFACE AREA: <b>VARIOUSmm<sup>2</sup></b>		DWG NO: <b>170X0554</b>		ANGLE: <b>FIRST</b>	REV: <b>A</b>
	VOLUME: <b>146880.24mm<sup>3</sup></b>		DRAWN BY: <b>KVS</b>	CHECKED BY: <b>JM</b>	DATE: <b>05/05/09</b>	SCALE: <b>NTS</b>
MASS: <b>365.57g</b>						