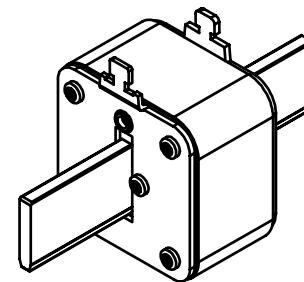
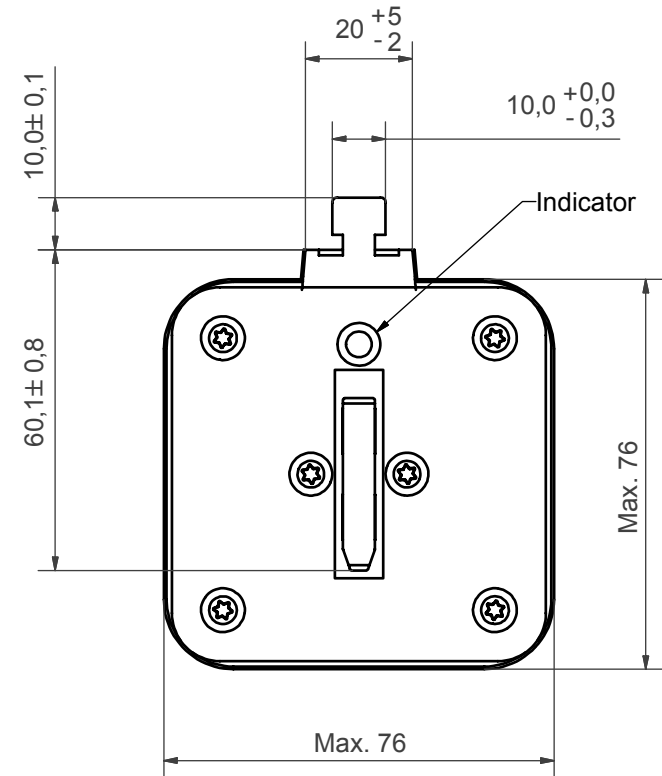
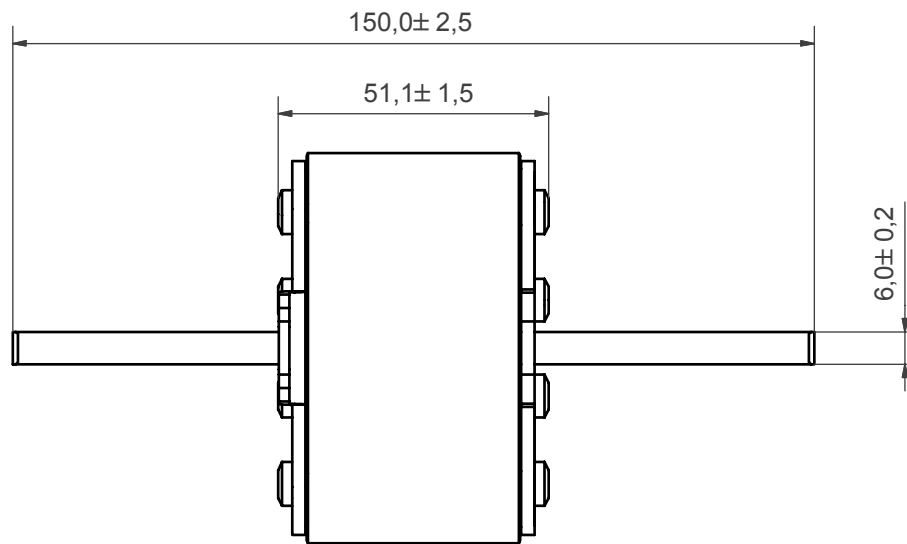
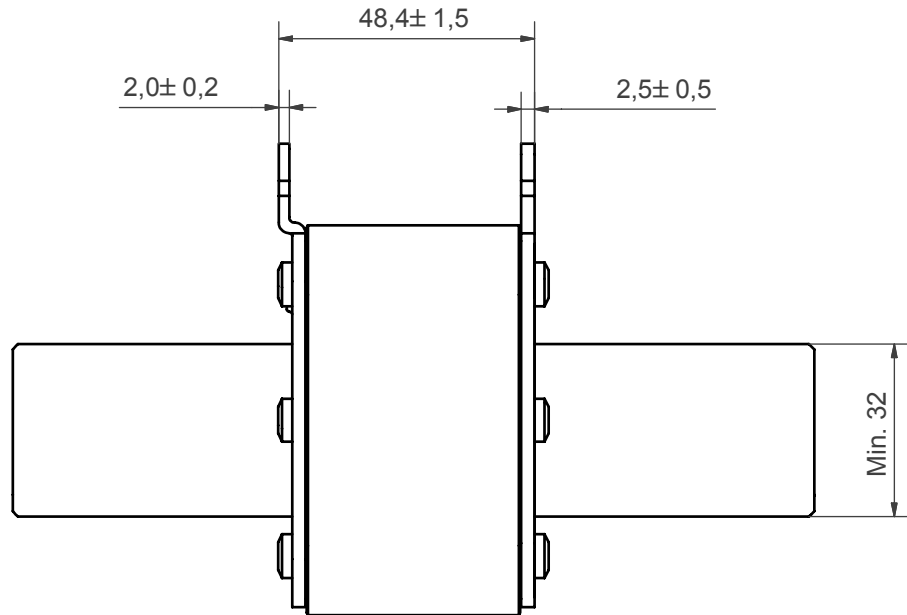
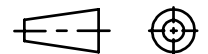




D	r				
	n				
	m				
	k				
	i				
C	h				
	g				
	f				
	e				
	d				
B	c				
	b				
	a				
	Date:	0244	0425	JM	TJ
	Dwg. by	JM			
	Control by	TJ			
A					



European projection



**Cooper Bussmann**

Literbuen 5, DK-2740 Skovlunde  
Phone: +45 4485 0919 fax: +45 4485 0906

This is the property of  
Cooper Industries Inc.

High Speed Fuse  
3SHT  
Dimension Sketch

Scale 1 : 1

**170X0737-01N**