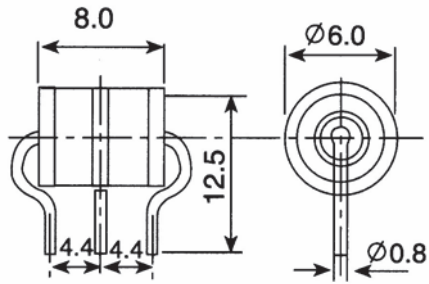
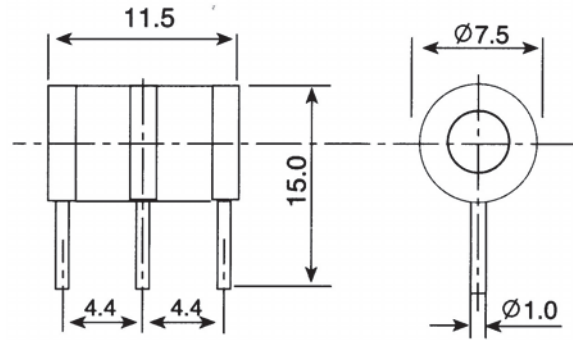


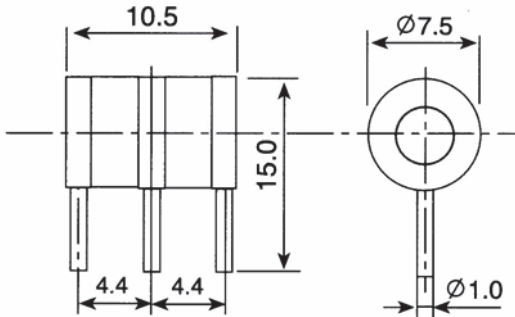
### 3-Electrode Ceramic Surge Arrester



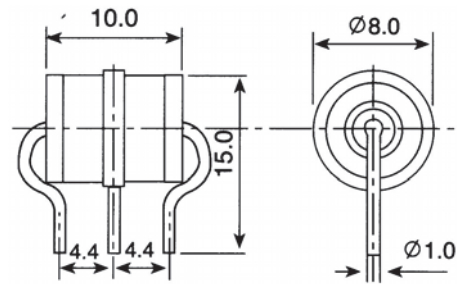
3R-AL<sub>1</sub> Type (Φ 6×8)



3R-AL<sub>2</sub> Type (Φ 7.5×11.5)



3R-AL<sub>3</sub> Type (Φ 7.5×10.5)



3R-AL<sub>4</sub> Type (Φ 8×10)

### Electrical Characteristics

type ( JN )	DC spark-over voltage (100V/s) V	Impulse spark-over voltage (1KV/us) V	Impulse discharge current (10/1000 us 300times) A	Impulse discharge current (8/20us 10times) KA	AC discharge current (50Hz 1s 5times) A	Holdover voltage V	Insulation resistance GΩ	Capacitance pF	Transverse voltage duration ns	
3R-75AL <sub>1</sub> 3R-75AL <sub>2</sub> 3R-75AL <sub>3</sub> 3R-75AL <sub>4</sub>	75±25%	≤600	50	10	10	/	≥1	<1.5	≤200	
3R-90AL <sub>1</sub> 3R-90AL <sub>2</sub> 3R-90AL <sub>3</sub> 3R-90AL <sub>4</sub>	90±25%	≤600	50	10	10	/	≥1	<1.5	≤200	
3R-150AL <sub>1</sub> 3R-150AL <sub>2</sub> 3R-150AL <sub>3</sub> 3R-150AL <sub>4</sub>	150±20%	≤700	100	10	10	80	≥1	<1	≤200	
3R-230AL <sub>1</sub> 3R-230AL <sub>2</sub> 3R-230AL <sub>3</sub> 3R-230AL <sub>4</sub>	230±20%	I	≤800	100	10	10	135	≥1	<1	≤200
II		≤500	/							
3R-350AL <sub>1</sub> 3R-350AL <sub>2</sub> 3R-350AL <sub>3</sub> 3R-350AL <sub>4</sub>	350±20%	I	≤800	100	10	10	135	≥1	<1	≤200
II		≤600	/							
3R-420AL <sub>1</sub> 3R-420AL <sub>2</sub> 3R-420AL <sub>3</sub> 3R-420AL <sub>4</sub>	420±20%	I	≤900	100	10	10	135	≥10	<1	≤200
II		≤700	/							
3R-470AL <sub>1</sub> 3R-470AL <sub>2</sub> 3R-470AL <sub>3</sub> 3R-470AL <sub>4</sub>	470±20%	I	≤900	100	10	10	135	≥1	<1	≤200
II		≤700 /	/							