

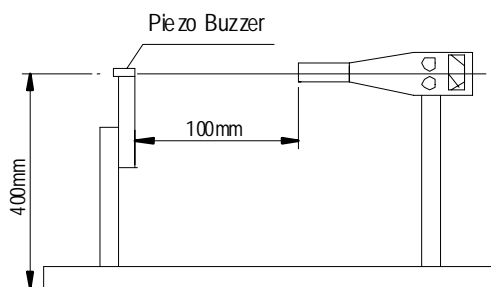
BZ-P1408R7V12 BPT



2. Technical Terms

ITEM	UNIT	SPECIFICATIONS
Rated Voltage	VDC	12
Operation Voltage	VDC	3-16
a)Rated Current	mA	max7
a)Sound Output at 10cm	dB	min80
a)Resonant Frequency	Hz	4000 500
Operating Temperature		-20...+70
Storage Temperature		-30...+80
Weight	g	1
a)Value Applying Rated Voltage (DC)		

★.Standard Output Measurement Setup



DIS.		DATE		Page:1 of 4
CHEC.		DATE		3rd angle projection
APPR.		DATE		

Piezo Buzzer



Semic Trade, s.r.o., Volutová 2521/18, 158 00 Praha 5
 Telephone: +420 251 625 331, 251 625 332, 251 625 377
 GSM: +420 605 999 994 Fax: +420 251 626 252, 251 626 393

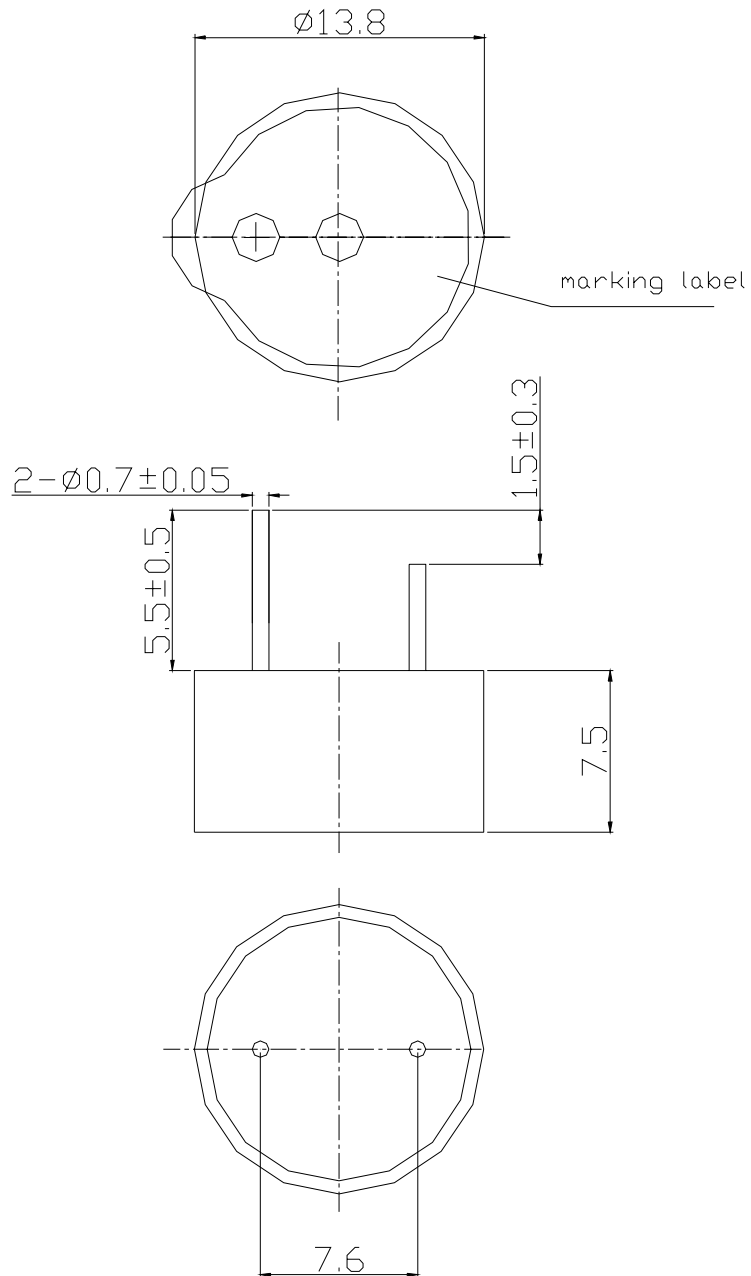


www.semic.cz
semic@semic.cz

DRG NO
 BS/TEP01.011A

3. Drawing

Tolerance: ± 0.2



DIS.		DATE		Page:2 of 4	Piezo Buzzer
CHEC.		DATE		3rd angle projection	
APPR.		DATE			
Semic Trade, s.r.o. , Volutová 2521/18, 158 00 Praha 5 Telephone: +420 251 625 331, 251 625 332, 251 625 377 GSM: +420 605 999 994 Fax: +420 251 626 252, 251 626 393				www.semic.cz semic@semic.cz	DRG NO BS/TEP01.011A

4. Reliability test

4.1 high temperature test

Temperature +80° C
Duration 96hrs

4.2 low temperature test

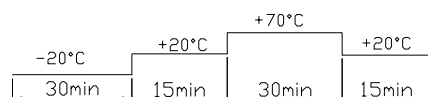
Temperature -30° C
Duration 96hrs

4.3 life test in normal temperature

Power supply rated voltage
Duration 1000hrs

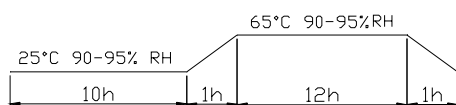
4.4 temperature cycle test

Cycles 5



4.5 Humidity cycle test

Cycles 5



all these tests above should be measured after leaving normal temperature for 2hrs.

4.6 Drop test

Height 70cm
(to 10mm thickness woodenboard)
Direction 3

4.7 Solderability

Temperature $245 \pm 5^\circ \text{C}$
Duration $3 \pm 0.5 \text{sec}$

4.8 Solder Heat Resistance

Temperature $260 \pm 5^\circ \text{C}$
Duration 20sec

Notice: All specification must be satisfied in this condition.

DIS.

DATE

Page:3 of 4

CHEC.

DATE

3rd angle
projection

APPR.

DATE

Piezo Buzzer



Semic Trade, s.r.o., Volutová 2521/18, 158 00 Praha 5
Telephone: +420 251 625 331, 251 625 332, 251 625 377
GSM: +420 605 999 994 Fax: +420 251 626 252, 251 626 393



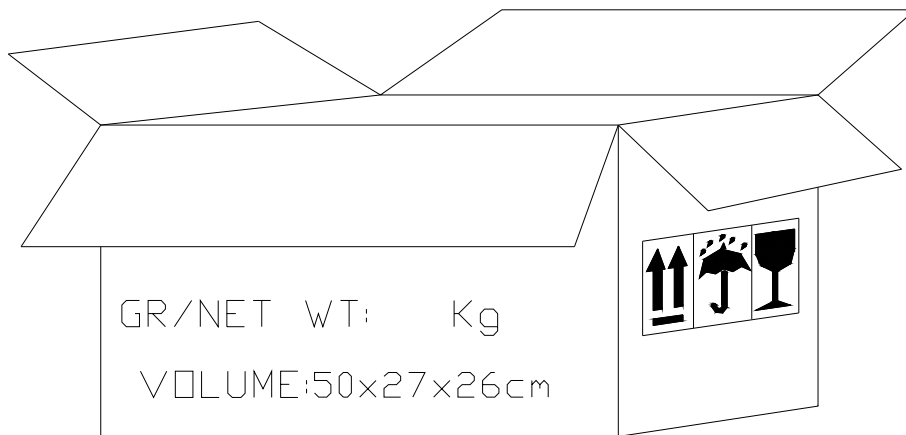
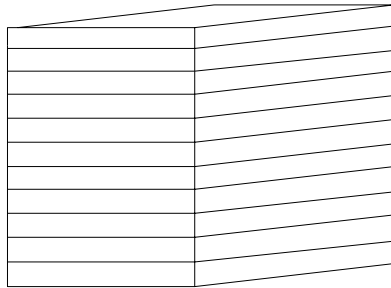
www.semic.cz
semic@semic.cz

DRG NO
BS/TEP01.011A



5. Appearance

Appearance : without any obstacle to normal operation : damages, cracks, rusts and distortions,ect.

6. Packing



- 1)100pcs/tray
- 2)30tray/carton
- 3)3000 pcs/carton in total
- 4)carton size 50x27x26cm

DIS.		DATE		Page:4 of 4	Piezo Buzzer
CHEC.		DATE		3rd angle projection	
APPR.		DATE			
 Semic Trade, s.r.o. , Volutová 2521/18, 158 00 Praha 5 Telephone: +420 251 625 331, 251 625 332, 251 625 377 GSM: +420 605 999 994 Fax:+420 251 626 252, 251 626 393				 www.semic.cz semic@semic.cz	DRG NO BS/TEP01.011A