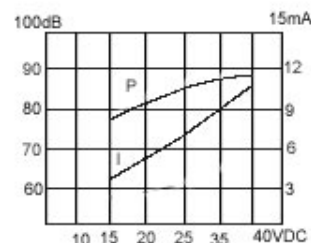
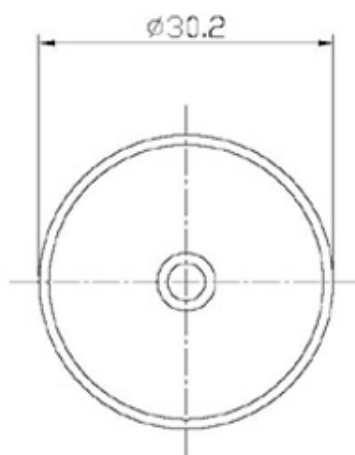
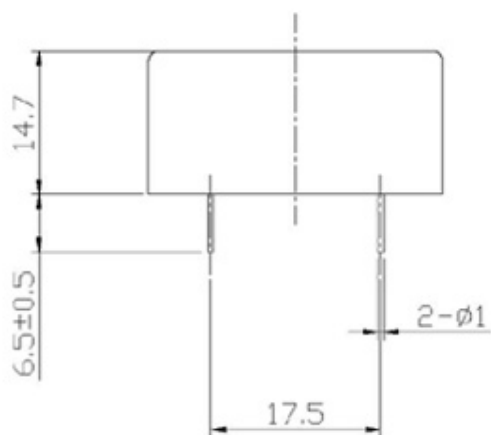


Product Info ...



Type: FBPB3015
 Product Name: Piezo Buzzer
 Description: Ø30.2*14.7mm,
 China of Piezo buzzer manufacturer FBPB3015



Rated Voltage	12VDC
Operating Voltage	3~20VDC
Max.Rated Current	10mA at 12VDC
Min.Sound Pressure Level	90dB at 12VDC/30cm
Resonant Frequency	2.9±0.5KHz
Operating Temperature	-20~+80°C
Tone Nature	Continuous