



Specifications Sheet

Product Type : Piezo Buzzer

Product Series : DB-E328C

Description : PZ BUZZER SINGLE 5/12VDC PIN PPO RoHS SP

MUST FOLLOW POLARITY INSTRUCTION

Color : Black

Electrical Specifications

Model No.		32SC4120LFPP
Operating Voltage	(VDC)	3.0 ~ 16.0
Rated Voltage	(VDC)	5.0 / 12.0
* Max. Rated Current	(mA)	5.0 / 12.0
* Min. Sound Output at 5.0 VDC	(dBA / 10.0 cm)	80.0
* Min. Sound Output at 12.0 VDC	(dBA / 10.0 cm)	90.0
Frequency	(Hz)	4000.0 ± 500.0
Tone Nature		Single
Operating Temperature	(° C)	-40.0 ~ +85.0
Storage Temperature	(° C)	-40.0 ~ +90.0
Terminal		Pin
Housing Material		PPO (SE1GFN-701) (Flame Rating : V-1)
Weight	(g)	0.96

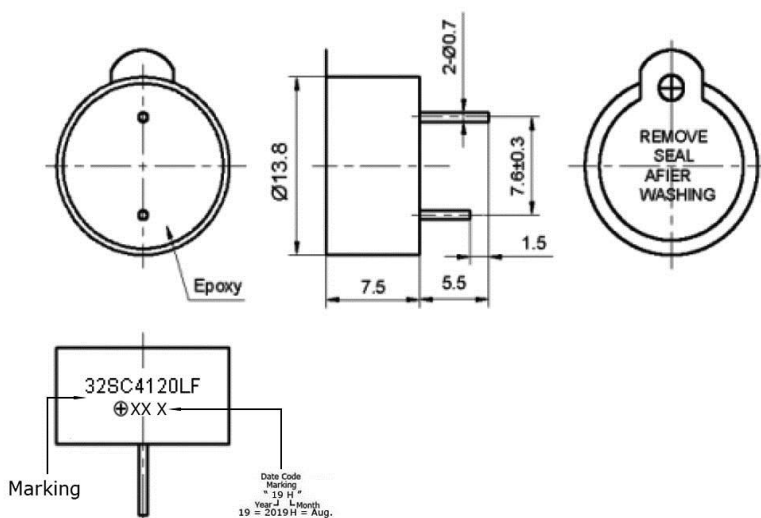
* Value Applying At Rate Voltage

Dimensions

Unit : mm

Tolerance : ± 0.5 mm

BOTTOM VIEW SIDE VIEW TOP VIEW



SIDE VIEW