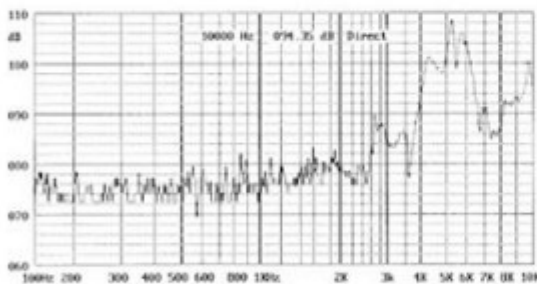
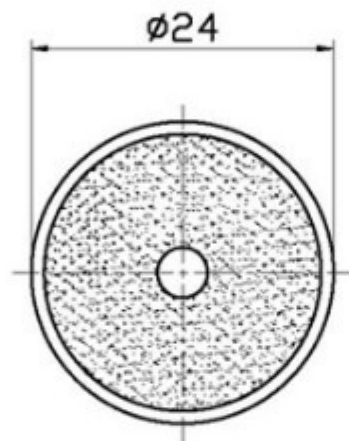
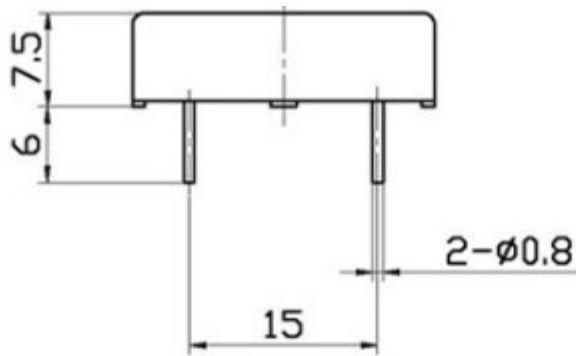


BUZZER FBPT2410



Rated Voltage	12Vp-p Square Wave
Max.Allowable Voltage	30Vp-p Square Wave
Max.Rated Current	4mA at 4.0KHz/12Vp-p Square Wave
Min.Sound Pressure Level	85dB at 4.0KHz/12Vp-p Square Wave/10cm
Resonant Frequency	4.0±0.5KHz
Operating Temperature	-20~+60°C
Capacitance	15nF at 120Hz