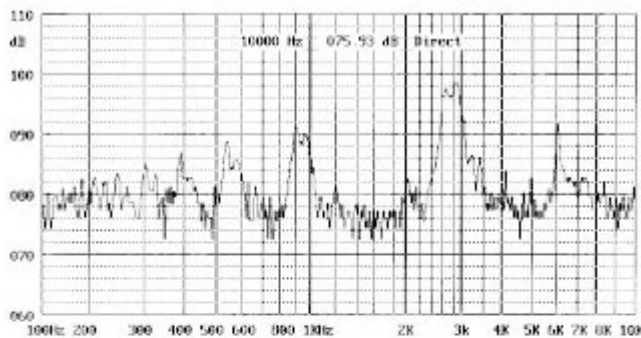
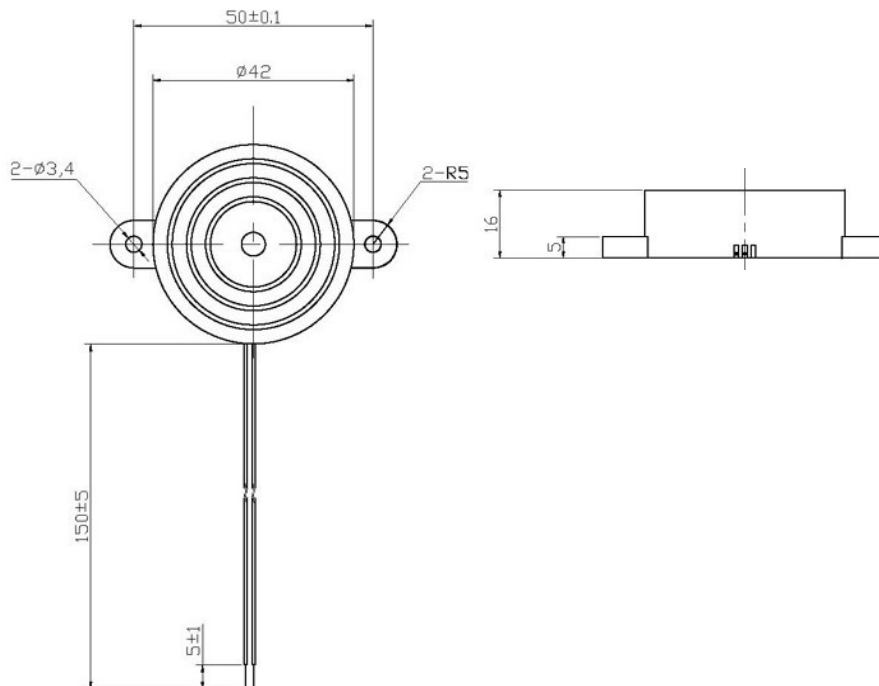




## Piezo Transducer, buzzer, piezo indicator

**FBPT4216**

Dim.in mm



Rated Voltage	12Vp-p Square Wave
Max.Allowable Voltage	30Vp-p Square Wave
Max.Rated Current	10.0mA at 2.8KHz/12Vp-p Square Wave
Min.Sound Pressure Level	85dB at 2.8KHz/12Vp-p Square Wave/10cm
Resonant Frequency	$2.6 \pm 0.5$ KHz
Operating Temperature	-20~+60°C
Capacitance	