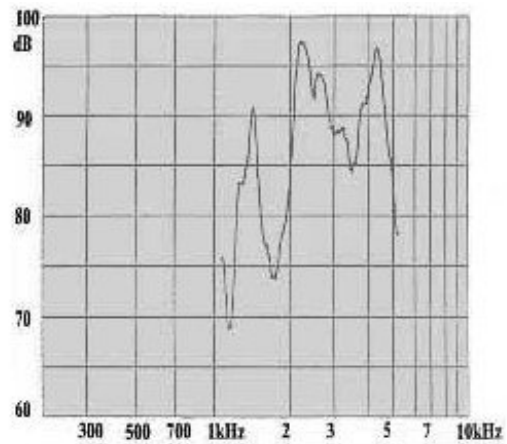
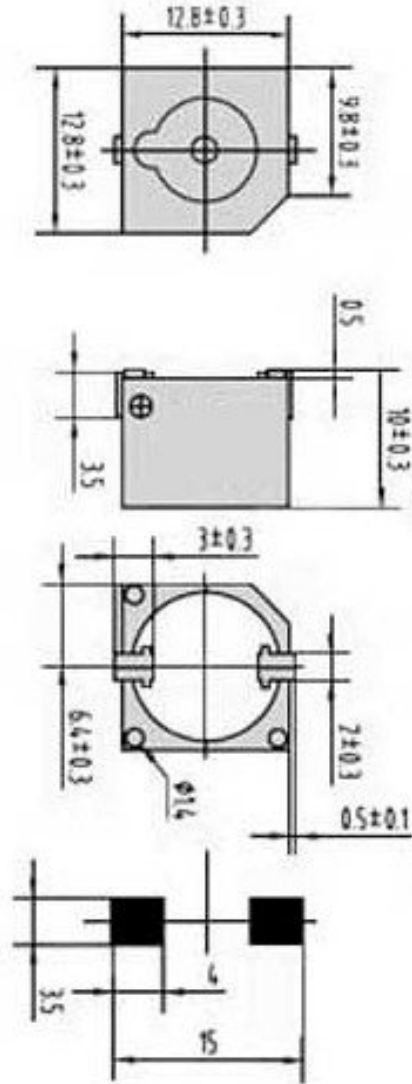


SMT Buzzer

FBSB1324(A,B)



Model No.	FBSB1324A	FBSB1324B
Min . Sound Pressure Level (dB)	85 / 5 V_{DC} / 10cm	85 / 12 V_{DC} / 10cm
Rated Voltage (V_{DC})	5	12
Operating Voltage (V_{DC})	4 ~ 7	8 ~ 16
Resonant Frequency (Hz)	2400	2400
Rated Current (mA)	40 / 5 V_{DC}	20 / 12 V_{DC}
Ω	\pm	\pm
DC Resistance ()	45 5	140 14
Operating Temperature ($^{\circ}C$)	-30 ~ 85	-30 ~ 85
Storage Temperature ($^{\circ}C$)	-40 ~ 85	-40 ~ 85
Weight (g)	2.5	2.5
Case Material / Colour	PPS / Grey	