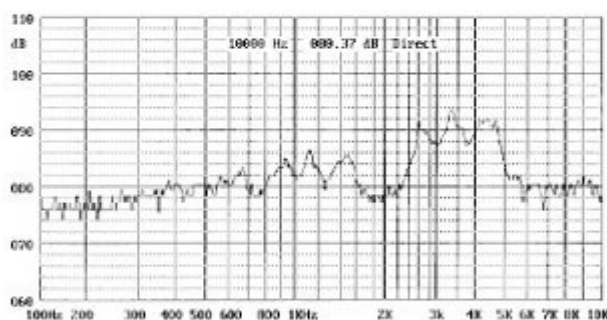
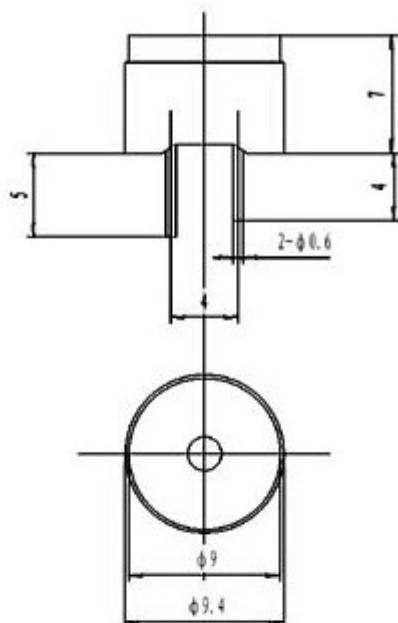


**Magnetic Transducer,
buzzer, Magnetic
Beeper**

FBMT9407(A,B)



Model	FBMT9407A	FBMT9407B
Rated Voltage	1.5V	1.5V
Operating Voltage	1~2V	1~2V
Max.Rated Current	80mA	80mA
Resonant Frequency	3100Hz	2731Hz
Min.Sound Pressure Level	80dB/10cm	80dB/10cm
Coil Resistance(DC)	5.5±1Ω	5.5±1Ω
Coil Impedance(AC)	9.5±3Ω	9.5±3Ω
Operating Temperature	-20~+70°C	-20~+70°C