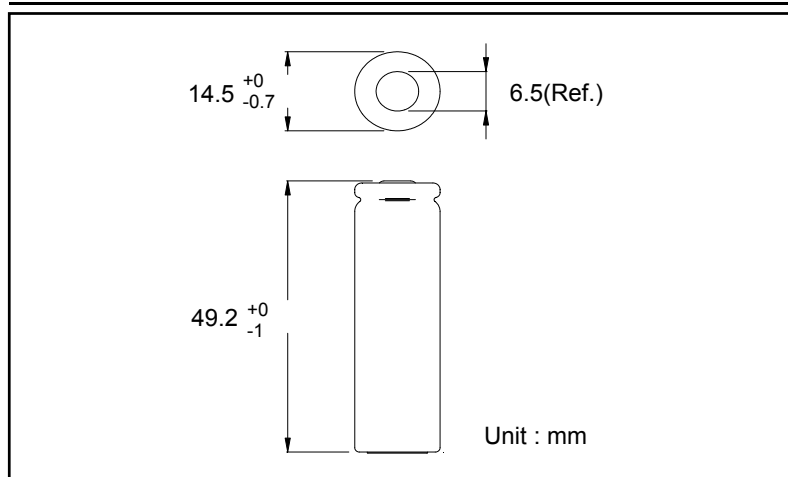


GP Batteries

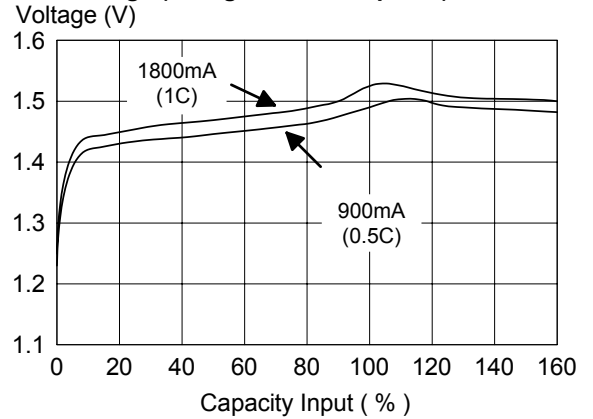
Data Sheet

Model No.: GP180AAH

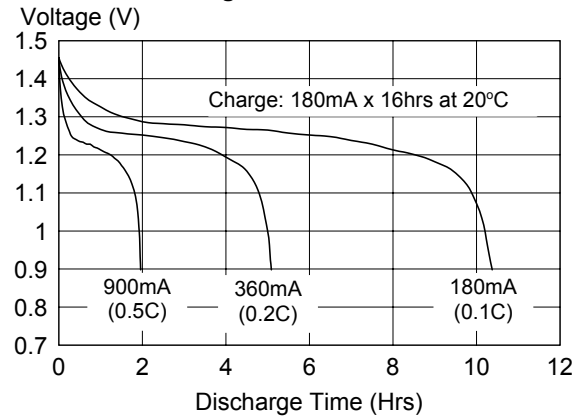
| | | |
|------------------------------------|---|-------------|
| Type | Rechargeable Nickel Metal Hydride Cylindrical Cell | |
| Nominal Dimension (with Sleeve) | Φ =14.5mm H =49.2mm | |
| Applications | Recommended discharge current 180 to 5400mA | |
| Nominal Voltage | 1.2V | |
| Capacity | Minimum: 1800mAh Typical: 1850mAh when discharged at 360mA to 1.0V at 20°C | |
| Charging Condition | 180mA for 16hrs at 20°C | |
| Fast Charge | 900mA to 1800mA (0.5 to 1C) charge termination control recommended control parameters: -ΔV : 0 - 5mV DT/dt : 0.8°C/min (0.5 to 0.9C) : 0.8 - 1°C/min (1C) TCO : 45 - 50°C Timer : 105% nominal input | |
| Service Life | >500 cycles (IEC standard) | |
| Continuous Overcharge | 180mA maximum current for 1 year No conspicuous deformation and/or leakage | |
| Weight | 27.0g | |
| Internal Resistance | Average 22mΩ upon fully charged (Range 16-26mΩ) at 1000Hz | |
| Max. Charging Voltage | 1.5V at 180mA charging | |
| Ambient Temperature Range | Standard Charging | 0 to 45°C |
| | Fast Charging | 10 to 45°C |
| | Discharging | -20 to 50°C |
| | Storage | -20 to 35°C |



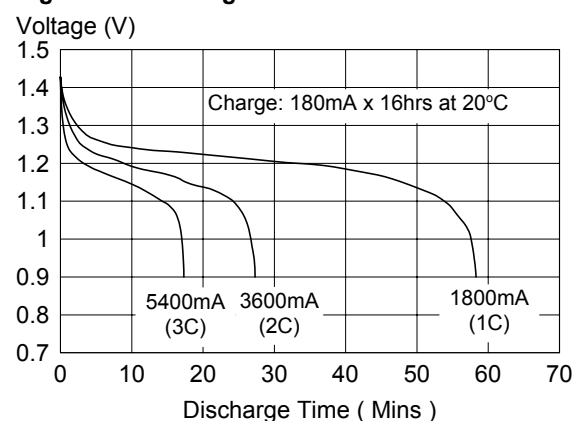
Fast Charge (Charge control required)



Low Rate Discharge



High Rate Discharge



* The information (subject to change without prior notice) contained in this document is for reference only and should not be used as a basis for product guarantee or warranty. For applications other than those described here, please consult your nearest GP Sales and Marketing Office or Distributors.