



These are a range of fuses with low current rating, for use with voltage transformers or operating transformers to provide isolation of the associated system in the event of faults in the transformer circuit.

Advantages of Edison Potential Transformer Fuses
Most fuses have two elements in parallel, ensuring satisfactory operation at much smaller values of overcurrent than is possible with single element fuse.

The elements are wound on a ceramic former, thus ensuring correct spacing of the elements from the body wall and from each other and hence giving assurance of correct operation in service.

Switching (arc) voltages comply with the IEC282-1.

Application Notes

1. In order to minimize the risk of deterioration of the fine fuse elements caused by corona, it is desirable to mount the fuses so that grounded metal is not in the immediate vicinity of the part of the barrel between the ferrules.
2. It is recommended that all three fuses are replaced when the fuse in one or two phases has operated unless it is definitely known that no overcurrent has passed through the unopened fuses.

AB & AM Series Fuses for Potential Transformers

kV	Catalog Number	Amp Ratings	Type	Dimensions - inches (Figure 1)		IR
				Length	Diameter	
3.6	3.6ABWNA(amp)	3.15, 6.3	AB	5.6	1	50kA
3.6	3.6ABCNA(amp)	3.15, 6.3, 10	AB	7.69	1	
5.5	5.5ABWNA(amp)	0.5E, 1.0E, 2.0E, 3.0E, 5.0E	AB	5.6	1	
5.5	5.5AMWNA(amp)	0.5E, 1.0E, 2.0E, 3.0E, 4.0E, 5.0E	AM	5.6	0.81	
7.2	7.2ABWNA(amp)	3.15, 6.3	AB	5.6	1	
7.2	7.2ABCNA(amp)	3.15, 6.3	AB	7.69	1	
12.0	12ABCNA(amp)	3.15	AB	7.69	1	
15.5	15.5ABFNA(amp)	3.15	AB	10.00	1	
17.5	17.5ABGNA(amp)	3.15	AB	14.13	1	
24.0	24ABGNA(amp)	3.15	AB	14.13	1	
36.0*	36ABGNA(amp)	3.15	AB	14.13	1	

*For clean indoor applications only.

CAV Series Fuses for Potential Transformers

kV	Catalog Number	Amp Ratings	Type	Dimensions - inches (Figure 2)		IR
				Length	Diameter	
3.6	3.6CAV(amp)	2	8CAV	8.66	1.63	40kA
5.5	5.5CAV(amp)	15E	7CAV	7.375		
5.5	5.5CAVH(amp)	0.5E, 1E, 2E	7CAVH	7.375		
7.2	7.2CAV(amp)	2, 4, 6, 10	8CAV	8.66		
12	12CAV(amp)	2	8CAV	8.66		
15.5	15.5CAV(amp)	0.5E, 1E, 2E, 3E, 7E	12CAV	12.87		
15.5	15.5CAVH(amp)	0.5E, 1E, 2E	12CAVH	12.87		
17.5	17.5CAV(amp)	2, 4, 6, 10	8CAV	8.66		
24	24CAV(amp)	2, 3, 4	13CAV	13.39		
36	36CAV(amp)	2, 4	17CAV	17.32		
38	38CAV(amp)	4E	17CAV	17.32		
38	38CAVH(amp)	0.5E, 1E, 2E	17CAV	17.32		

Dimensions - in (mm)

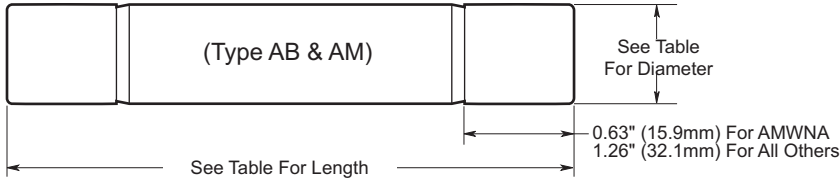


Figure 1

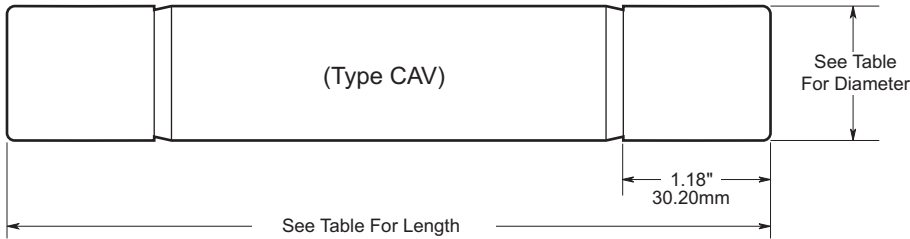
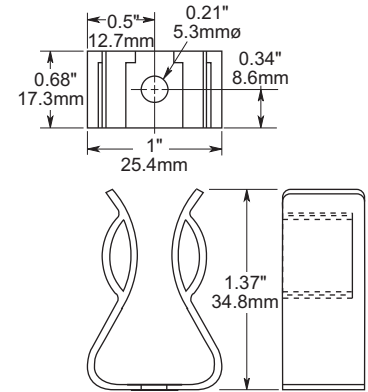


Figure 2

Fuseclips



Part No. A3354705

For 1" diameter potential transformer fuses.

Time-Current Curves

5.5kV AMWNA

5.5kV ABWNA

