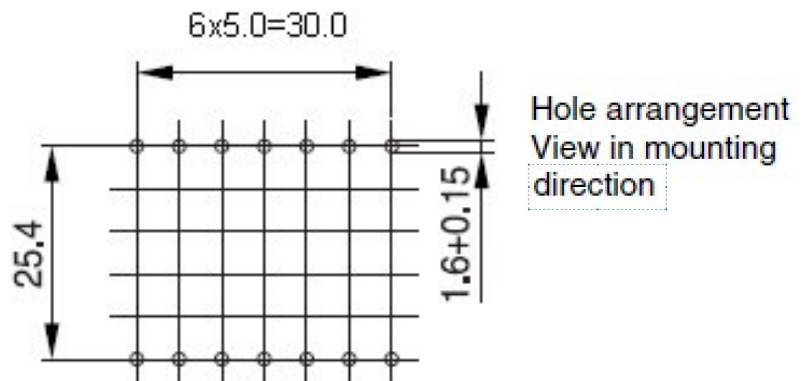


Note:

- (1) All dimensions are in mm
- (2) y = Material Code *)
- (3) x = Temperature Class *)
- (4) Tolerance for all dimension:
 - 0 < L ≤ 4: ±0,2 mm
 - 4 < L ≤ 16: ±0,3 mm
 - 16 < L ≤ 63: ±0,4 mm
- (5) Pin material: CP wire
- (6) Tolerance of Pin Pitch: (±0,2 mm)
- *) Specification according to BOBBIN-MATERIALS



SEMIC TRADE, s.r.o.
Volutová 2521/18
158 00 Praha 5
Czech Republic

www.semic.cz
semic@semic.cz
tel.: +420 251 625 331, 332, 377
fax: +420 251 626 252, 393