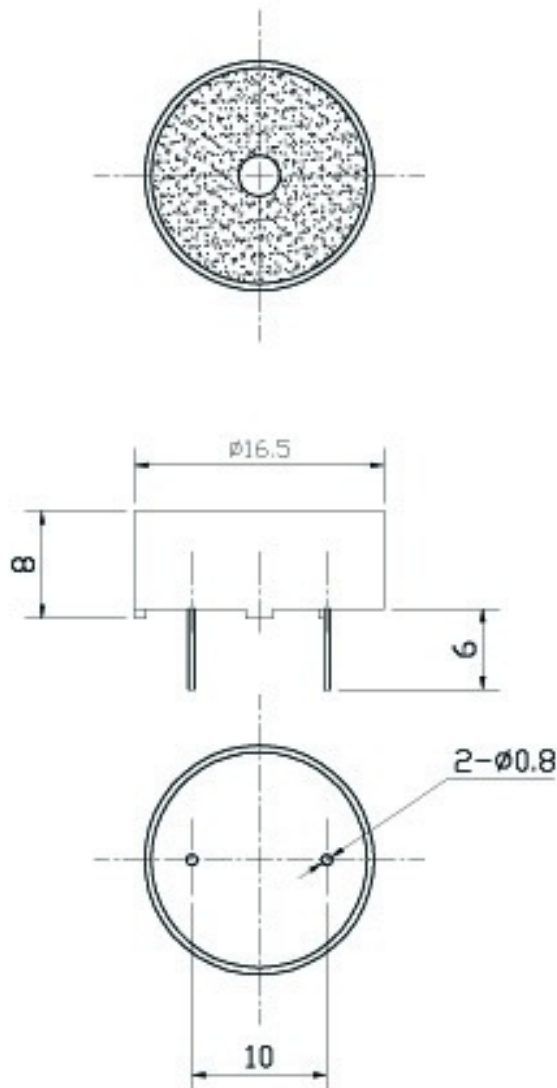


## SPECIFICATION

1. Rated Voltage .....5Vp-p Square Wave
2. Max. Allowable Voltage .....30Vp-p Square Wave
3. Capacitance at 1000Hz (pF) .....15000±30
4. Min. Sound Pressure Level.....85dB at 4.0KHz/5Vp-p Square Wave/10cm
5. Resonant Frequency .....4.0±0.5KHz
6. Shell Material/Color.....PBT/Black
7. Operating Temperature .....-20~+60℃
8. Store Temperature .....-30~+70℃
9. Weight .....2g



FBPT1720