

1 2 3 4 5 6 7 8

A

A

B

B

C

C

D

D

E

E

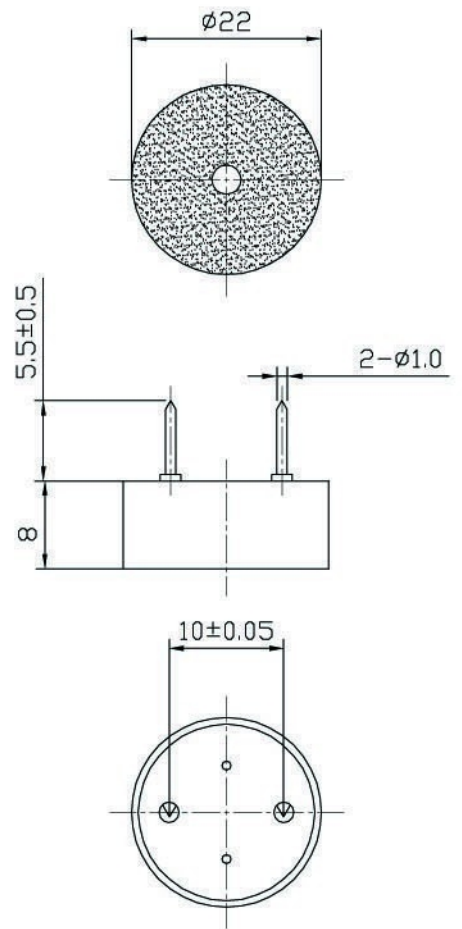
F

F

1 2 3 4 5 6 7 8

SPECIFICATION

- 1. Rated Voltage12Vp-p Square Wave
- 2. Max. Allowable Voltage30Vp-p Square Wave
- 3. Max. Rated Current3mA at 4.0KHz/12Vp-p Square Wave
- 4. Resonant Frequency4.0±0.5KHz
- 5. Min. Sound Pressure Level.....88dB at 4.0KHz/12Vp-p Square Wave/10cm
- 6. Capacitance at 120Hz15nF±30%
- 7. Case MaterialABS
- 8. Operating Temperature-20~+80°C
- 9. Store Temperature-30~+80°C
- 10. Weight2g



FBPT2210