

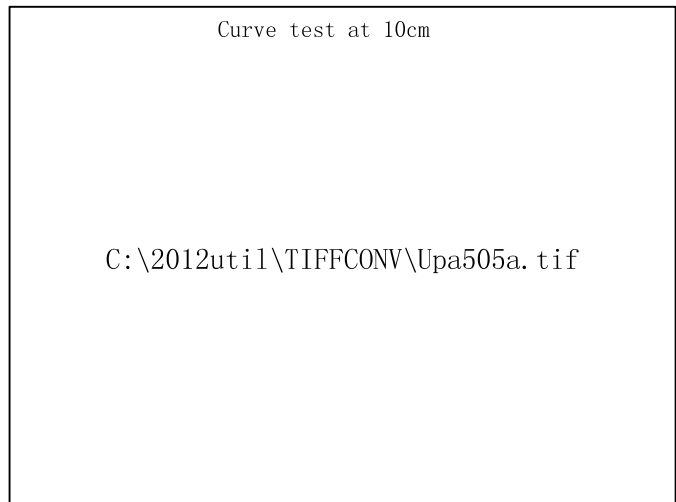
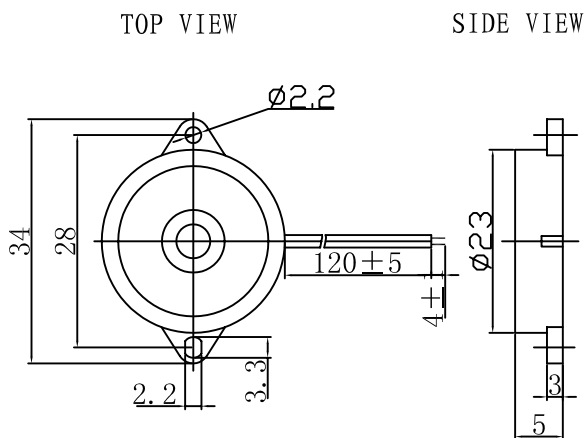
SPECIFICATION SHEET

ELECTRICAL SPECIFICATIONS:

Type	Unit	FBPT2346
Rated voltage (Square Wave)	Vp-p	12
Operating Voltage	Vp-p	1-30
*Rated Current (MAX)	mA	5
* Min Sound Output at 30 cm	dB	80
*Resonant Frequency	Hz	4000 ± 500
Capacitance at 120Hz		24000 ± 30%
lead wire		UL1095 AWG28
Operating Temperature	° C	-20 - +60
Storage Temperature	° C	-30 - +70
Weight	g	2

*Value Applying at Rated Voltage(DC).

DIMENSIONS UNIT:mm Tolerance: ±0.5mm



				FBPT2346		Page 1/1	
	NAME	DATE					