

SPECIFICATION

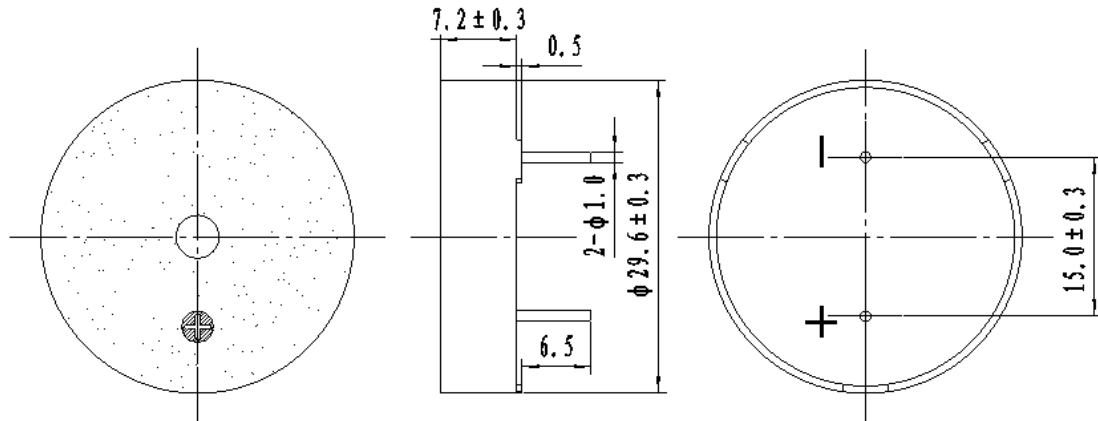
Piezo Transducer

1	Model No.	FBPT3010
2	Rated Voltage (Vp-p)	12
3	Operating Voltage (Vp-p)	1 ~ 30
4	Resonant Frequency (Hz)	2500±500
5	Capacitance 120Hz (PF)	20000±30%
6	*Sound Output at 10cm (dB)	≥90
7	*Current Consumption (mA)	≤5
8	Operating Temperature (°C)	-20 ~ +60
9	Storage Temperature (°C)	-30 ~ +70
10	Weight (g)	4.5
11	Case material and colour	PPO / Black
12	RoHS	Yes

Dimensions

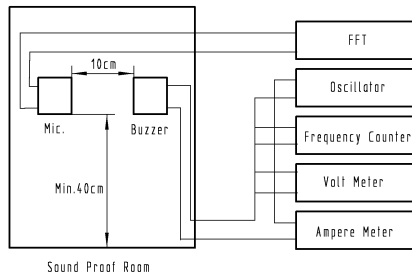
Unit: mm

Tolerance: ±0.5mm Except Specified

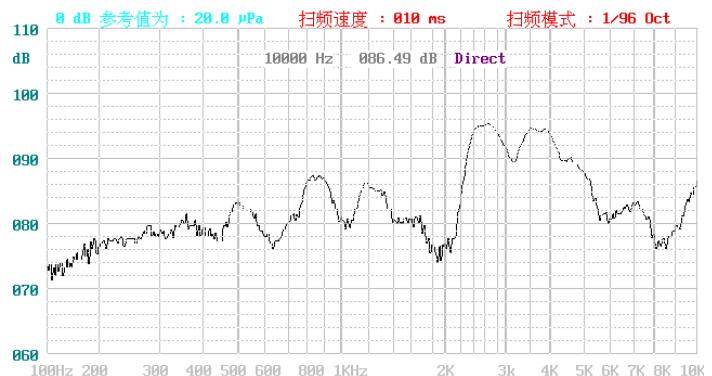


Measurement

The electrical characteristics shall be measured at 20 to 25 & relative humidity 55% max.



Freq. Response



Drawing by

Checked by

Approved by

Date

--	--	--	--