

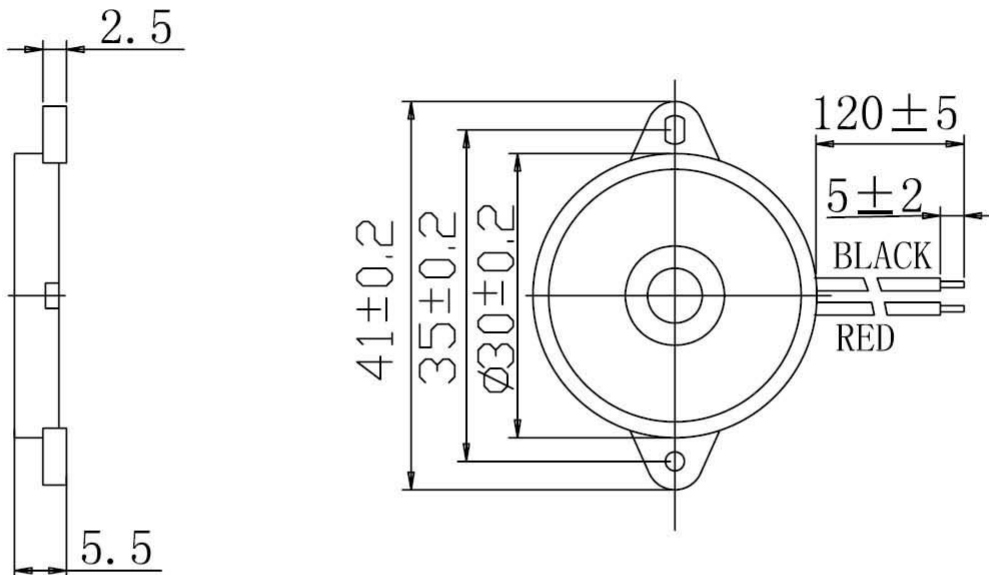
SPECIFICATION SHEET

ELECTRICAL SPECIFICATIONS: (Test condition TEMP.=25°C)

Type	Unit	FBPT3057
Rated voltage	Vp-p	9 (square wave)
Operating Voltage	Vp-p	1-30
*Rated Current (MAX)	mA	3
* Min Sound Output at 10 cm	dB	88
*Resonant Frequency	Hz	3500 ± 500
Capacitance at 120Hz	nF	20 ± 30%
Lead Wire		UL1095 AWG28
Operating Temperature	° C	-20- +60
Storage Temperature	° C	-30- +70
Weight	g	3.5

*Color Black ABS Housing Material Leadwire Terminal.

DIMENSIONS UNIT:mm Tolerance: ±0.5mm



FBPT3057