

SPECIFICATION

Piezo Transducer

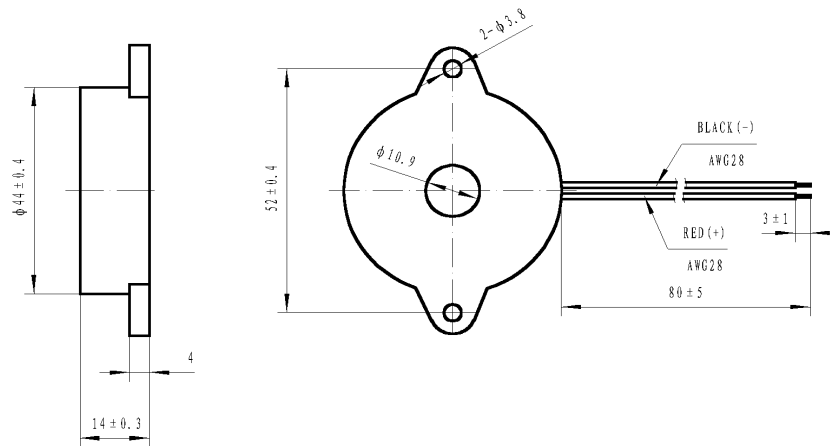
1	Model No.	FBPT4414
2	Rated Voltage (Vp-p)	12
3	Operating Voltage (Vp-p)	1 ~ 30
4	Resonant Frequency (Hz)	1100±300
5	Capacitance 120Hz (pF)	70000±30%
6	*Sound Output at 10cm (dB)	≥80
7	*Current Consumption (mA)	≤5
8	Operating Temperature (°C)	-20 ~ +70
9	Storage Temperature (°C)	-30 ~ +80
10	Weight (g)	11.5

*Applying rated voltage (Resonant frequency, Square wave)

Dimensions

Unit: mm

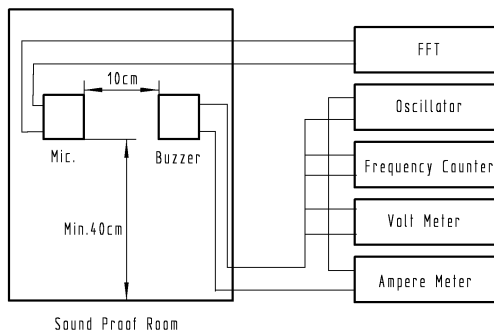
Tolerance: ±0.5mm Except Specified



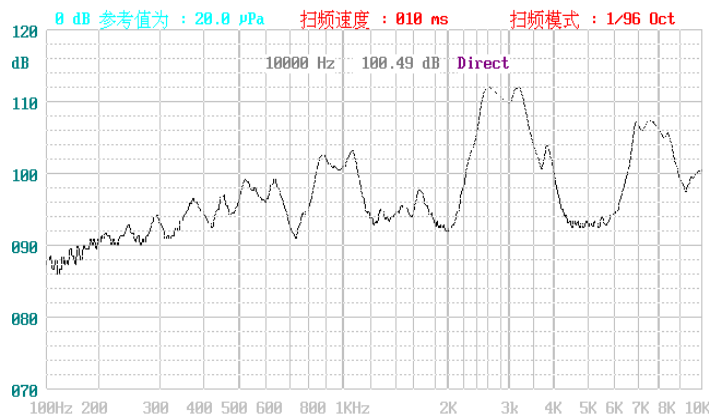
*Housing Material: ABS

Measurement

The electrical characteristics shall be measured at 20 to 25 & relative humidity 55% max.



Freq. Response



Drawing by

Checked by

Approved by

Date