

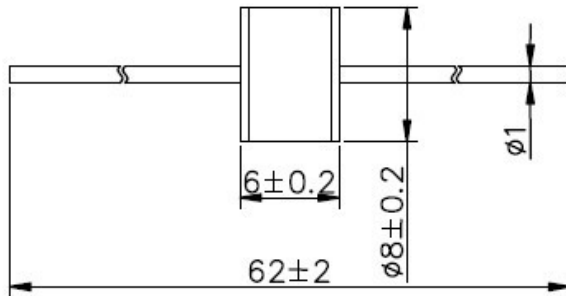
2-Electrode Gas Discharge Tubes

20KA

Axial Lead Wire



1: Dimension(mm)



2:Main Applications

- PCI Cards protection
- Telephone/Fax/Modem protection
- single line protection
- ADSL/XDSL Splitter,Power Supply
- Surge Protection Device/Surge Protector

3:Features

- 100% Lead-Free(RoHs Compliant)
- Non-Radioactive
- Low capacitance: ≤1pF
- Small size :Φ8x6(mm)
- Safety certification: File number: E505240

4 Electrical Characteristics

Part Number	DC Spark-over Voltage @100V/S	Impulse Spark-over Voltage @100V/μs	Impulse Spark-over Voltage @1KV/μs	Insulation Resistance GΩ	Impulse discharge current 8/20μs 10 Times	Impulse Life 300 hits 10x1000μs	AC discharge current 50Hz,1s 10times	UL Certificate UL497B
HA2R8-75HL	75V ±20%	≤500V	≤ 600V	>1GΩ	20KA	100A	20A	E505240
HA2R8-90HL	90V ±20%	≤500V	≤ 600V	>1GΩ	20KA	100A	20A	E505240
HA2R8-140HL	140V±20%	≤500V	≤ 600V	>1GΩ	20KA	100A	20A	E505240
HA2R8-150HL	150V±20%	≤500V	≤ 600V	>1GΩ	20KA	100A	20A	E505240
HA2R8-200HL	200V±20%	≤600V	≤ 700V	>1GΩ	20KA	100A	20A	E505240
HA2R8-230HL	230V±20%	≤600V	≤ 700V	>1GΩ	20KA	100A	20A	E505240
HA2R8-250HL	250V±20%	≤600V	≤ 700V	>1GΩ	20KA	100A	20A	E505240
HA2R8-260HL	260V±20%	≤700V	≤ 800V	>1GΩ	20KA	100A	20A	E505240
HA2R8-300HL	300V±20%	≤800V	≤ 900V	>1GΩ	20KA	100A	20A	E505240
HA2R8-350HL	350V±20%	≤900V	≤ 1000V	>1GΩ	20KA	100A	20A	E505240
HA2R8-400HL	400V±20%	≤900V	≤ 1000V	>1GΩ	20KA	100A	20A	E505240
HA2R8-420HL	420V±20%	≤900V	≤ 1000V	>1GΩ	20KA	100A	20A	E505240
HA2R8-470HL	470V±20%	≤1100V	≤ 1200V	>1GΩ	20KA	100A	20A	E505240
HA2R8-500HL	500V±20%	≤1100V	≤ 1200V	>1GΩ	20KA	100A	20A	E505240
HA2R8-550HL	550V±20%	≤1300V	≤ 1400V	>1GΩ	20KA	100A	20A	E505240
HA2R8-600HL	600V±20%	≤1300V	≤1400V	>1GΩ	20KA	100A	20A	E505240
HA2R8-800HL	800V±20%	≤1400V	≤1500V	>1GΩ	20KA	100A	20A	--

4 Electrical Characteristics

Continue

Part Number	DC Holdover Voltage	On-State Voltage	Impulse discharge current 8/20μs	Peak Current @10/350μs	Weight
	Per ITU K.12 (<150ms)	Nominal @ 1A	1time	1time	g
HA2R8-75HL	<52V	20V	25KA	4KA	~1.8g
HA2R8-90HL	<52V	20V	25KA	4KA	~1.8g
HA2R8-140HL	<80V	20V	25KA	4KA	~1.8g
HA2R8-150HL	<80V	20V	25KA	4KA	~1.8g
HA2R8-200HL	<135V	20V	25KA	4KA	~1.8g
HA2R8-230HL	<135V	20V	25KA	4KA	~1.8g
HA2R8-250HL	<135V	20V	25KA	4KA	~1.8g
HA2R8-260HL	<135V	20V	25KA	4KA	~1.8g
HA2R8-300HL	<150V	20V	25KA	4KA	~1.8g
HA2R8-350HL	<150V	20V	25KA	4KA	~1.8g
HA2R8-400HL	<150V	20V	25KA	4KA	~1.8g
HA2R8-420HL	<150V	20V	25KA	4KA	~1.8g
HA2R8-470HL	<150V	20V	25KA	4KA	~1.8g
HA2R8-500HL	<150V	20V	25KA	4KA	~1.8g
HA2R8-550HL	<150V	20V	25KA	4KA	~1.8g
HA2R8-600HL	<150V	20V	25KA	4KA	~1.8g
HA2R8-800HL	<150V	20V	25KA	4KA	~1.8g

1:At delivery AQL 0.65 leave II Military Standard 105 E

2:In ionized mode

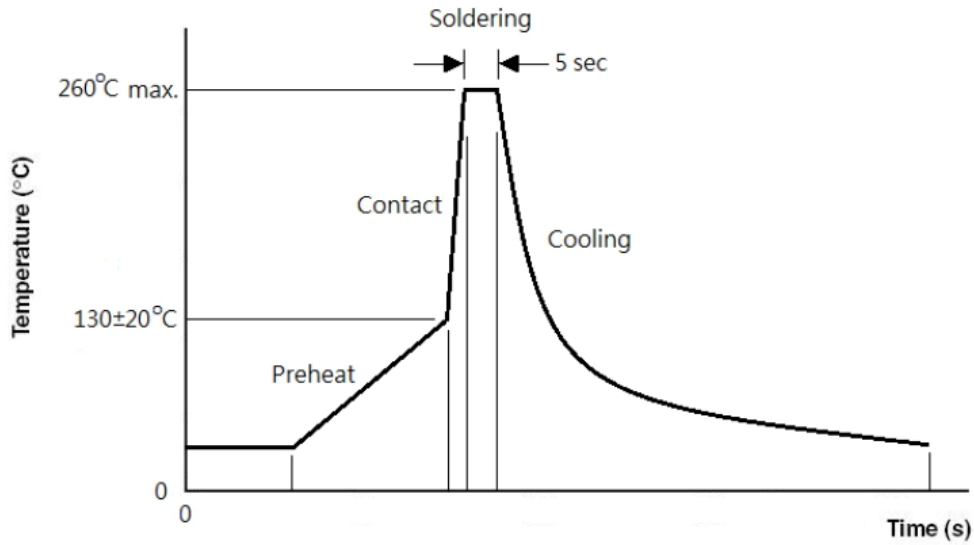
3:Test according to ITU-T Rec.k.12

Environmental resistance

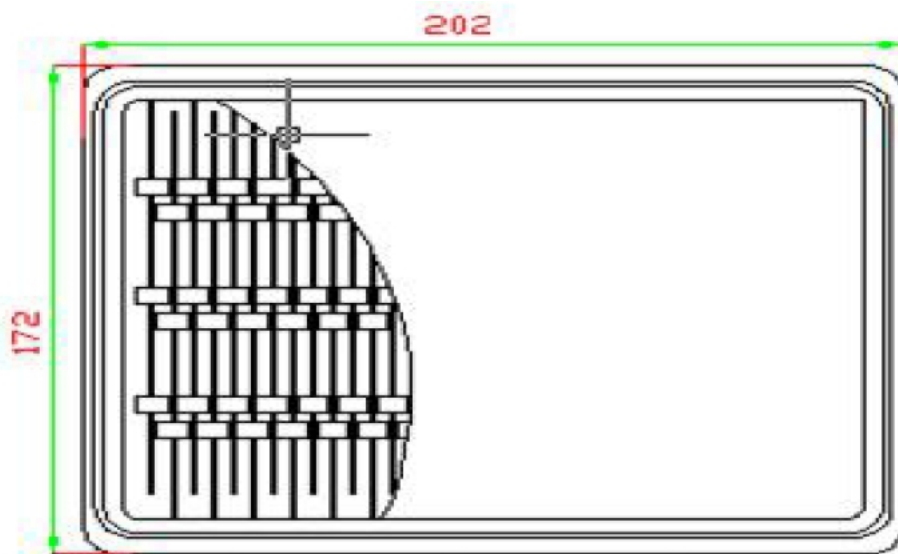
Storage temperature:	-40°C---+90°C
Operating temperature:	-40°C---+90°C
Electrode:	Tin Plated

Example Part Number: HA2R8-90HL

HA	=	manufacturer prefix
2	=	2 Electrode device
R	=	Gas Discharge Tube
8	=	8mm Diameter
90	=	90V
H	=	High Surge 20KA
L	=	Axial Lead Wire



Packaging Information



Packaging Quantity

Part Number	Quantity	
	Per Tray	Per Carton
HA2R8-xxxHL Series	100PCS	5000PCS

Specifications are subject to change without notice