

NOTES:

1. MATERIAL:

PA6, UL 94V-2

COLOR: NATURAL(WHITE)

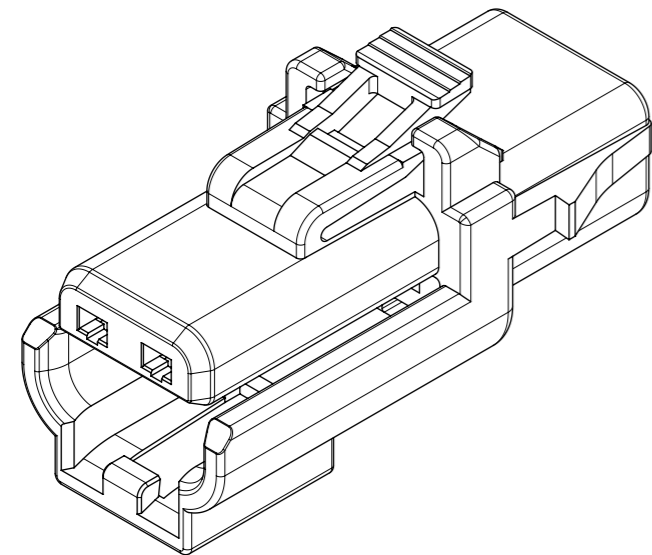
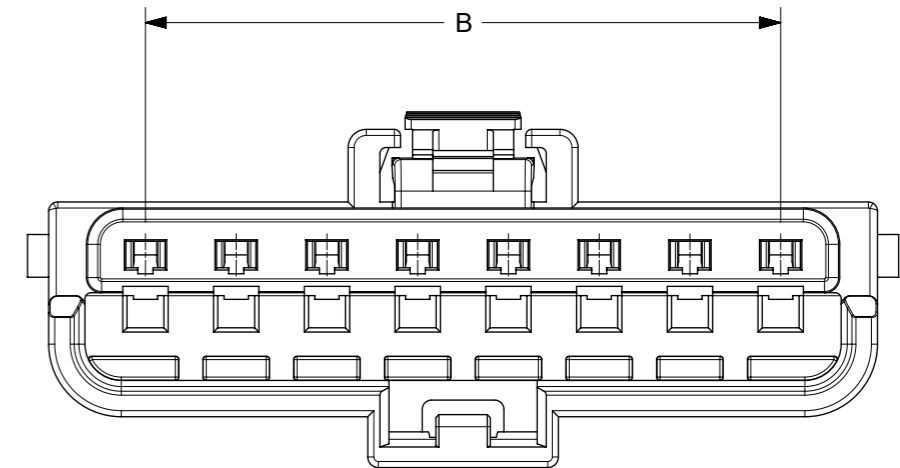
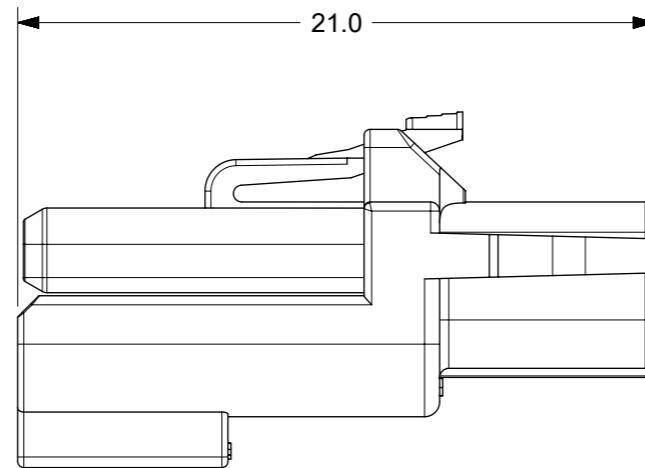
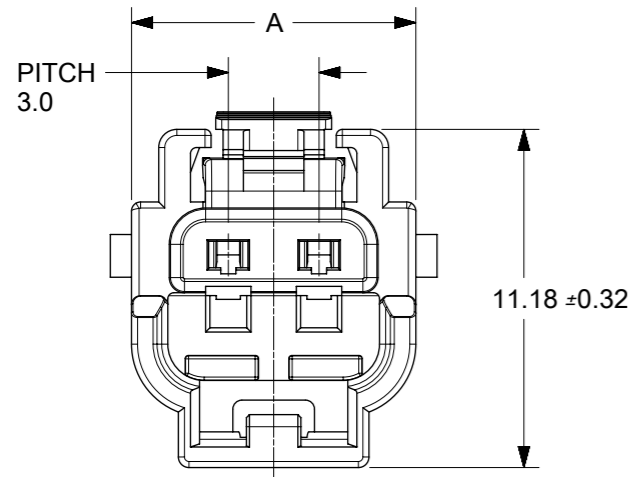
2. USE CRIMP TERMINAL SERIES 150185, 150197 & 150200

3. PART MATES WITH IDENTICAL HOUSING (SERIES 150201)

4. PRODUCT SPECIFICATION PS-150197-0000

5. PACKAGING SPECIFICATION PK-150170-0000

6. COSMETIC SPECIFICATION: PS-45499-002 CLASS B



PART NUMBER	CIRCUIT SIZE	A ±0.35	B
1502010002	2	9.3	3.0
1502010003	3	12.3	6.0
1502010004	4	15.3	9.0
1502010005	5	18.3	12.0
1502010006	6	21.3	15.0
1502010007	7	24.3	18.0
1502010008	8	27.3	21.0

THIS DRAWING CONTAINS INFORMATION THAT IS PROPRIETARY TO MOLEX ELECTRONIC TECHNOLOGIES, LLC AND SHOULD NOT BE USED WITHOUT WRITTEN PERMISSION

RE-MASTERED IN ECTR	2016/02/18	GENERAL TOLERANCES (UNLESS SPECIFIED)	DIMENSION UNITS	SCALE	molex		
	2016/02/28		MM	4:1			
	2016/02/28		ANGULAR TOL ±	DRWN BY		DATE	
	4 PLACES ±		NCSR	2014/08/05			
	3 PLACES ±		CHK'D BY	DATE			
2 PLACES ± 0.25	NCSR	2014/12/16					
1 PLACE ± 0.3	APPR BY	DATE	PRODUCT CUSTOMER DRAWING				
0 PLACES ±	KPRASAD	2015/04/14	DRAWING SIZE	THIRD ANGLE PROJECTION	SERIES	MATERIAL NUMBER	CUSTOMER
DRAFT WHERE APPLICABLE MUST REMAIN WITHIN DIMENSIONS	A3		150201	SEE TABLE	GENERAL MARKET		
A1	REV		DOCUMENT NUMBER		DOC TYPE	DOC PART	SHEET NUMBER
			SD-150201-0000		PSD	000	1 OF 1