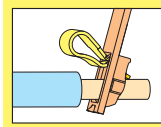


# TOPJOB® Rail-Mounted Terminal Blocks 2.5 (4) mm<sup>2</sup>/AWG 12 Series 2002

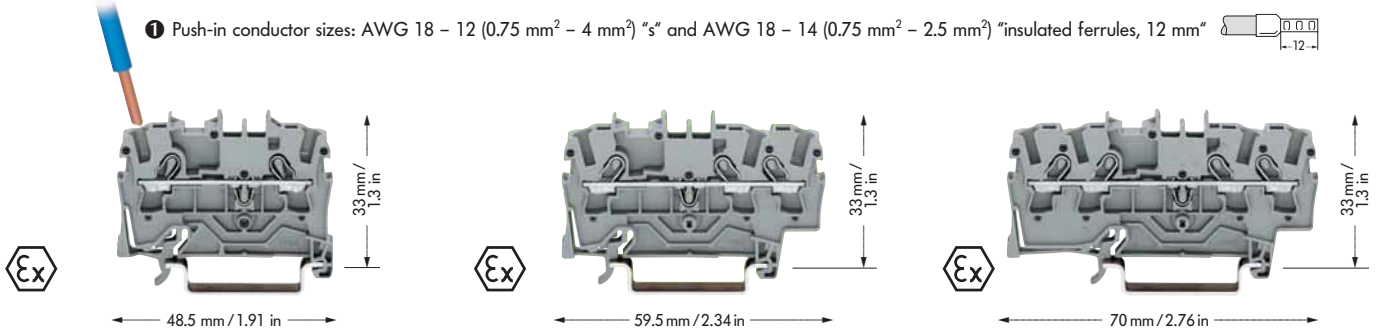


1  
7

1

<p>0.25 – 2.5 (4) mm<sup>2</sup> ①   AWG 22 – 12 800 V/8 kV/3   600 V, 20 A ② 24 A   600 V, 20 A ③</p> <p>Terminal block width 5.2 mm / 0.205 in 10 – 12 mm / 0.43 in</p> <p>* TÜV, UL, VDE, KEBA, CCA, LR, Ex</p>	<p>0.25 – 2.5 (4) mm<sup>2</sup> ①   AWG 22 – 12 800 V/8 kV/3   600 V, 20 A ② 24 A   600 V, 20 A ③</p> <p>Terminal block width 5.2 mm / 0.205 in 10 – 12 mm / 0.43 in</p> <p>* TÜV, UL, VDE, KEBA, CCA, LR, Ex</p>	<p>0.25 – 2.5 (4) mm<sup>2</sup> ①   AWG 22 – 12 800 V/8 kV/3   600 V, 20 A ② 24 A   600 V, 20 A ③</p> <p>Terminal block width 5.2 mm / 0.205 in 10 – 12 mm / 0.43 in</p> <p>* TÜV, UL, VDE, KEBA, CCA, LR, Ex</p>
--	--	--

① Push-in conductor sizes: AWG 18 – 12 (0.75 mm<sup>2</sup> – 4 mm<sup>2</sup>) "s" and AWG 18 – 14 (0.75 mm<sup>2</sup> – 2.5 mm<sup>2</sup>) "insulated ferrules, 12 mm" 



Item No.	Pack.-unit pcs	Item No.	Pack.-unit pcs	Item No.	Pack.-unit pcs
<b>2-conductor through terminal blocks</b>		<b>3-conductor through terminal blocks</b>		<b>4-conductor through terminal blocks</b>	
grey Ex 2002-1201	100	grey Ex 2002-1301	100	grey Ex 2002-1401	100
blue Ex 2002-1204	100	blue Ex 2002-1304	100	blue Ex 2002-1404	100
orange Ex 2002-1202	100	orange Ex 2002-1302	100	orange Ex 2002-1402	100
more colors are being prepared		more colors are being prepared		more colors are being prepared	
<b>2-conductor ground (earth) terminal block</b>		<b>3-conductor ground (earth) terminal block</b>		<b>4-conductor ground (earth) terminal block</b>	
green-yellow Ex 2002-1207	100	green-yellow Ex 2002-1307	100	green-yellow Ex 2002-1407	100
Ex Suitable for Ex e II applications 550 V, 22 A		Ex Suitable for Ex e II applications 550 V, 22 A		Ex Suitable for Ex e II applications 550 V, 22 A	
Ex Suitable for Ex i applications		Ex Suitable for Ex i applications		Ex Suitable for Ex i applications	
<b>Accessories</b> appropriate marker system <b>WMB/Miniature WSB/Marker strips</b> (see section 14)					
<b>End and intermediate plate</b> , 0.8 mm / 0.031 in thick		<b>End and intermediate plate</b> , 0.8 mm / 0.031 in thick		<b>End and intermediate plate</b> , 0.8 mm / 0.031 in thick	
orange 2002-1292	100 (4 x 25)	orange 2002-1392	100 (4 x 25)	orange 2002-1492	100 (4 x 25)
grey 2002-1291	100 (4 x 25)	grey 2002-1391	100 (4 x 25)	grey 2002-1491	100 (4 x 25)
<b>Insulation stop</b> , 5 pcs/strip		<b>Insulation stop</b> , 5 pcs/strip		<b>Insulation stop</b> , 5 pcs/strip	
light grey 2002-171 0.25-0.5 mm <sup>2</sup> dark grey 2002-172 0.75-1 mm <sup>2</sup>		light grey 2002-171 0.25-0.5 mm <sup>2</sup> dark grey 2002-172 0.75-1 mm <sup>2</sup>		light grey 2002-171 0.25-0.5 mm <sup>2</sup> dark grey 2002-172 0.75-1 mm <sup>2</sup>	
<b>Push-in type jumper bars</b> , light grey, insulated, I <sub>N</sub> 25 A, Ex 20 A		<b>Push-in type jumper bars</b> , light grey, insulated, I <sub>N</sub> 25 A, Ex 20 A		<b>Push-in type jumper bars</b> , light grey, insulated, I <sub>N</sub> 25 A, Ex 20 A	
2-way 2002-402	200 (8 x 25)	2-way 2002-402	200 (8 x 25)	2-way 2002-402	200 (8 x 25)
3-way 2002-403	200 (8 x 25)	3-way 2002-403	200 (8 x 25)	3-way 2002-403	200 (8 x 25)
4-way 2002-404	200 (8 x 25)	4-way 2002-404	200 (8 x 25)	4-way 2002-404	200 (8 x 25)
5-way 2002-405	100 (4 x 25)	5-way 2002-405	100 (4 x 25)	5-way 2002-405	100 (4 x 25)
:	:	:	:	:	:
10-way 2002-410	100 (4 x 25)	10-way 2002-410	100 (4 x 25)	10-way 2002-410	100 (4 x 25)
<b>Push-in type jumper bars</b> , light grey, insulated, I <sub>N</sub> 25 A, Ex 20 A		<b>Push-in type jumper bars</b> , light grey, insulated, I <sub>N</sub> 25 A, Ex 20 A		<b>Push-in type jumper bars</b> , light grey, insulated, I <sub>N</sub> 25 A, Ex 20 A	
1 - 3 2002-433	200 (8 x 25)	1 - 3 2002-433	200 (8 x 25)	1 - 3 2002-433	200 (8 x 25)
1 - 4 2002-434	200 (8 x 25)	1 - 4 2002-434	200 (8 x 25)	1 - 4 2002-434	200 (8 x 25)
1 - 5 2002-435	100 (4 x 25)	1 - 5 2002-435	100 (4 x 25)	1 - 5 2002-435	100 (4 x 25)
:	:	:	:	:	:
1 - 10 2002-440	100 (4 x 25)	1 - 10 2002-440	100 (4 x 25)	1 - 10 2002-440	100 (4 x 25)
<b>Protective warning marker</b> , for 5 terminal blocks		<b>Protective warning marker</b> , for 5 terminal blocks		<b>Protective warning marker</b> , for 5 terminal blocks	
yellow 2002-115	100 (4 x 25)	yellow 2002-115	100 (4 x 25)	yellow 2002-115	100 (4 x 25)
<b>Modular TOPJOB®S connector</b> , for jumper contact slot		<b>Modular TOPJOB®S connector</b> , for jumper contact slot		<b>Modular TOPJOB®S connector</b> , for jumper contact slot	
1 pole 2002-501	100 (4 x 25)	1 pole 2002-501	100 (4 x 25)	1 pole 2002-501	100 (4 x 25)
<b>Spacer</b> , modular		<b>Spacer</b> , modular		<b>Spacer</b> , modular	
2002-549	100 (4 x 25)	2002-549	100 (4 x 25)	2002-549	100 (4 x 25)
see also page 1.12		see also page 1.12		see also page 1.12	
<b>Test plug adapter</b> , for test plug 4 mm / 0.157 in Ø		<b>Test plug adapter</b> , for test plug 4 mm / 0.157 in Ø		<b>Test plug adapter</b> , for test plug 4 mm / 0.157 in Ø	
2009-174	100 (4 x 25)	2009-174	100 (4 x 25)	2009-174	100 (4 x 25)
<b>Testing tap</b> , for max. 2.5 mm <sup>2</sup>	2009-182 100 (4 x 25)	<b>Testing tap</b> , for max. 2.5 mm <sup>2</sup>	2009-182 100 (4 x 25)	<b>Testing tap</b> , for max. 2.5 mm <sup>2</sup>	2009-182 100 (4 x 25)

\* For further approvals with corresponding ratings see section 15.