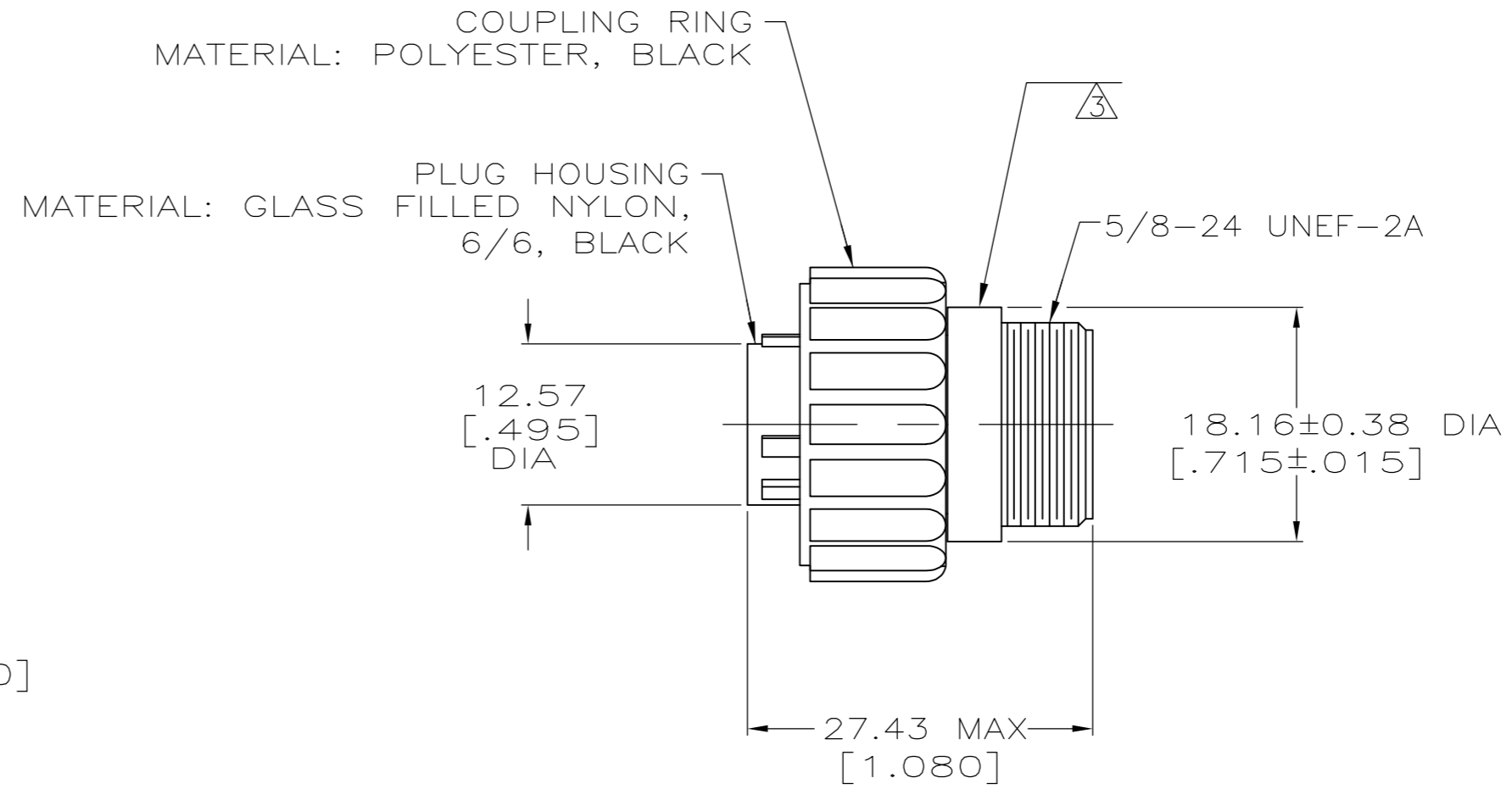
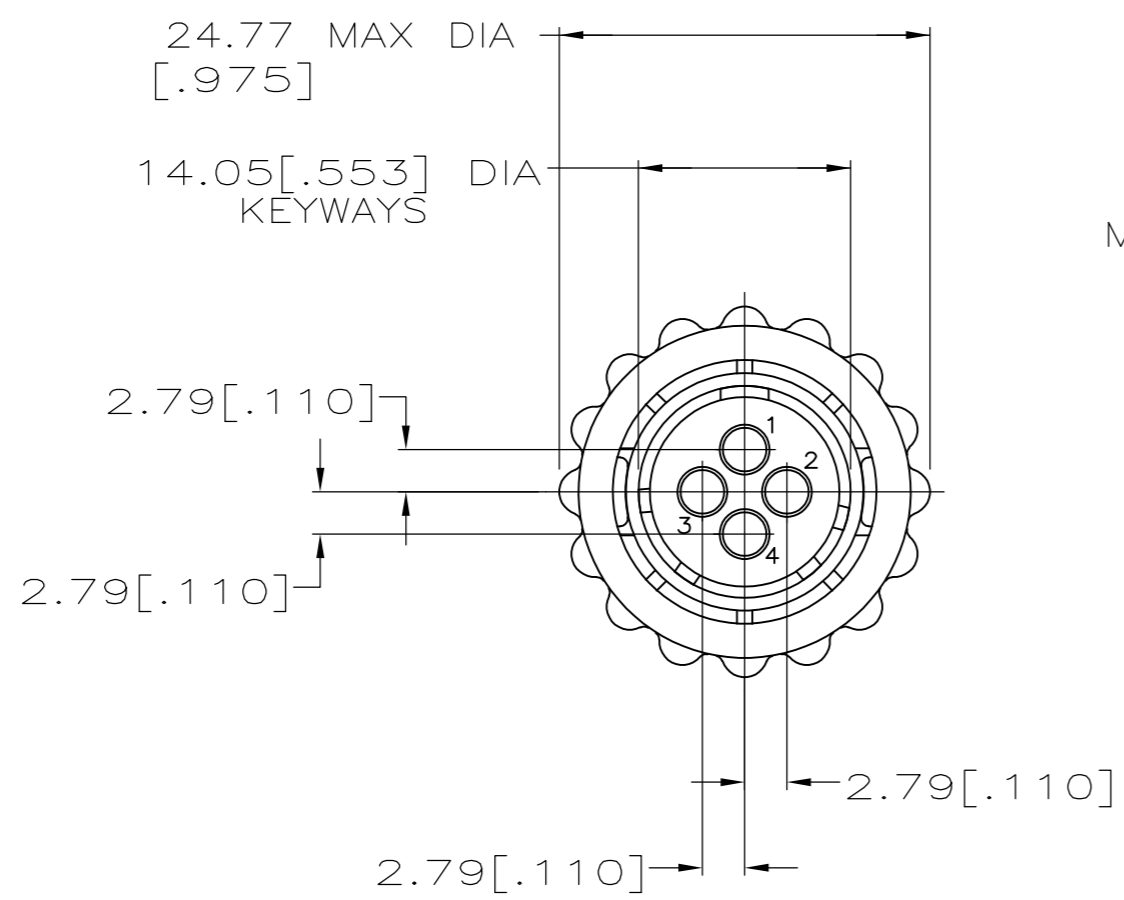


THIS DRAWING IS UNPUBLISHED. RELEASED FOR PUBLICATION
 © COPYRIGHT - By - ALL RIGHTS RESERVED.

LOC		DIST		REVISIONS			
P	LTR	DESCRIPTION		DATE	DWN	APVD	
FT	4	H1		REVISED PER ECO-11-004587	11MAR11	RK HMR	



NOTES:

1. CAVITY IDENTIFICATION ON FRONT AND REAR FACE.
2. WILL ACCEPT FOUR (4) MULTIMATE CONTACTS.

MOLDED PART NUMBER THIS SURFACE. PART NUMBER MAY ALSO APPEAR ON COUPLING RING MATING FACE.

SMALL PACK	206060-2
STANDARD	206060-1
PACKAGING	PART NO.

THIS DRAWING IS A CONTROLLED DOCUMENT.		DWN	D.GELTZ	07/26/93	TE Connectivity PLUG ASSEMBLY, STANDARD SEX, SERIES 1, 11-4, CPC
DIMENSIONS:		CHK	R.STONE	08/11/93	
mm	TOLERANCES UNLESS OTHERWISE SPECIFIED:	APVD	-	-	
	0 PLC ± -	PRODUCT SPEC	108-10024	NAME	
	1 PLC ± -	APPLICATION SPEC	-	SIZE	
	2 PLC ± 0.13 [.005]	WEIGHT	-	CAGE CODE	
	3 PLC ± -	CUSTOMER DRAWING	-	SCALE	
	4 PLC ± -	SCALE	2:1	SHEET	
	ANGLES ± -	SCALE	2:1	1 OF 1	
MATERIAL	FINISH	REV	H1	REV	
SEE	-				