

PLEASE CHECK WWW.MOLEX.COM FOR LATEST PART INFORMATION

Part Number: [22-11-1061](#)
Status: **Active**
Overview: Mini-Latch™ Wire-to-Board System
Description: Mini-Latch™ Wire-to-Board Header, Vertical, with Friction Ramp, 6 Circuits, Gold (Au) Plating

Documents:

3D Model	Product Specification PS-5045-004 (PDF)
Drawing (PDF)	Packaging Specification SPK-5045-002 (PDF)
Product Specification PS-5045-003 (PDF)	RoHS Certificate of Compliance (PDF)

Agency Certification

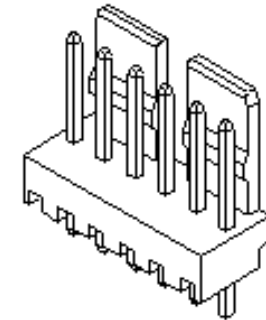
UL E29179

General

Product Family	PCB Headers
Series	5045
Application	Signal, Wire-to-Board
Overview	Mini-Latch™ Wire-to-Board System
Product Name	KK®
UPC	800753732872

Physical

Breakaway	No
Circuits (Loaded)	6
Circuits (maximum)	6
Color - Resin	Natural
Durability (mating cycles max)	30
First Mate / Last Break	No
Flammability	94V-0
Glow-Wire Compliant	No
Guide to Mating Part	No
Keying to Mating Part	None
Lock to Mating Part	Yes
Material - Metal	Brass
Material - Plating Mating	Gold
Material - Plating Termination	Gold
Material - Resin	Nylon
Net Weight	609.000/mg
Number of Rows	1
Orientation	Vertical
PC Tail Length	3.40mm
PCB Locator	No
PCB Retention	None
PCB Thickness - Recommended	1.60mm
Packaging Type	Bag
Pitch - Mating Interface	2.50mm
Pitch - Termination Interface	2.50mm
Plating min - Mating	0.356µm
Plating min - Termination	0.356µm
Polarized to PCB	No
Shrouded	Partial
Stackable	No
Surface Mount Compatible (SMC)	No
Temperature Range - Operating	-40°C to +105°C
Termination Interface: Style	Through Hole



Series

image - Reference only

EU RoHS

ELV and RoHS Compliant

REACH SVHC

Contains SVHC: No Low-Halogen Status Low-Halogen

China RoHS



Need more information on product environmental compliance?

Email productcompliance@molex.com
 For a multiple part number RoHS Certificate of Compliance, [click here](#)

Please visit the [Contact Us](#) section for any non-product compliance questions.

Search Parts in this Series

5045Series

Mates With

KK® 2.50mm Housings 51191 , 5051

Electrical

Current - Maximum per Contact 3A
Voltage - Maximum 250V

Material Info

Old Part Number 5045-06AG

Reference - Drawing Numbers

Packaging Specification SPK-5045-002
Product Specification PS-5045-003, PS-5045-004
Sales Drawing SD-5045-001

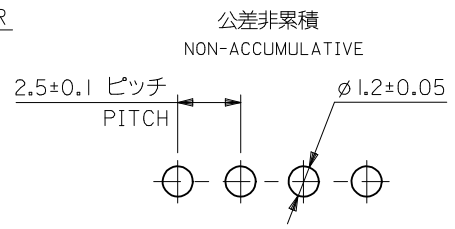
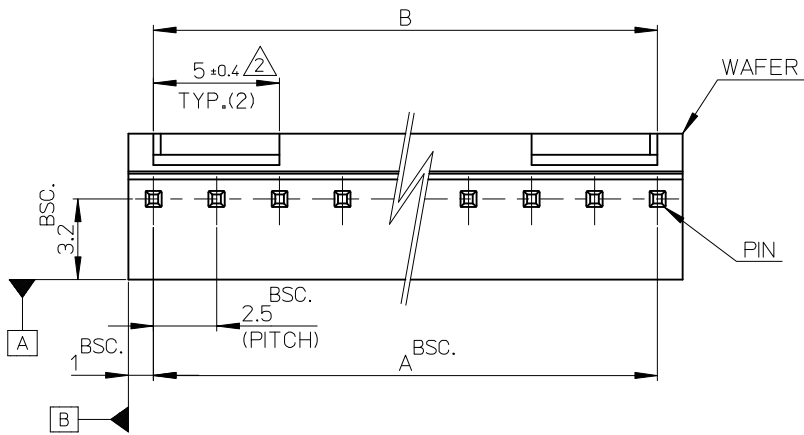
This document was generated on 05/14/2014

PLEASE CHECK WWW.MOLEX.COM FOR LATEST PART INFORMATION



SEMIC TRADE, s.r.o.
Volutová 2521/18
158 00 Praha 5
Czech Republic

www.semic.cz
semic@semic.cz
tel.: +420 251 625 331, 332, 377
fax: +420 251 626 252, 393



基板取付穴推奨寸法
RECOMMENDED P.C.BOARD HOLE DIM.

注)
NOTE.

1. 材料

MATERIAL

- ピン : □0.635×14.2 黄銅、ニッケル下地金メッキ
- PIN: 0.635×14.2 BRASS Au OVER NICKEL PLATING.
- ウェハー: ポリアミド, UL94V-0
- WAFER: POLYAMIDE ,UL94V-0

② 6極以上に適用

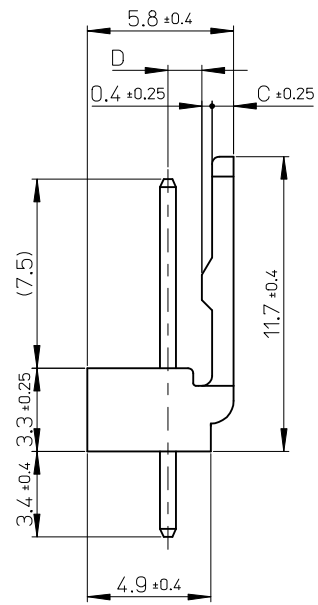
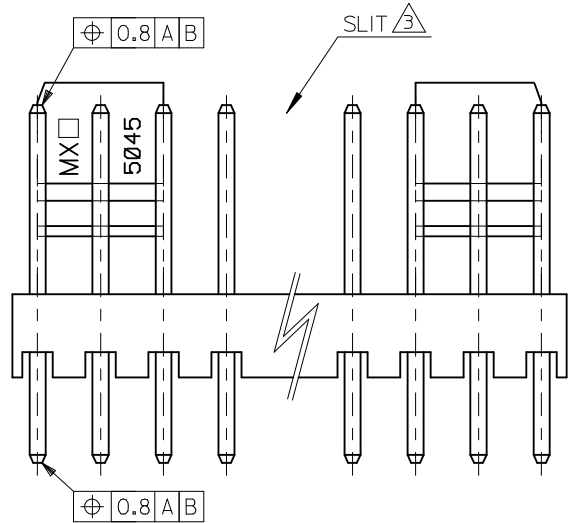
TO BE APPLIED FOR 6 CKT. AND MORE THEN 6 CKT.

③ 5極以下はロック部スリットなし

NO SLIT IS PROVIDED FOR 5 CKT. AND LESS THAN 5 CKT.

4. ELV 及び RoHS 適合品

ELV AND RoHS COMPLIANT



1.35	0.85	47.5 ^{+0.3} _{-0.45}	47.5	22	11	1201	20
		45 ^{+0.3} _{-0.45}	45			1191	19
		42.5 ^{+0.3} _{-0.45}	42.5			1181	18
		40 ^{+0.3} _{-0.45}	40			1171	17
		37.5 ^{+0.3} _{-0.45}	37.5			1161	16
		35 ^{+0.3} _{-0.45}	35			1151	15
		32.5 ^{+0.3} _{-0.45}	32.5			1141	14
		30 ^{+0.25} _{-0.4}	30			1131	13
		27.5 ^{+0.25} _{-0.4}	27.5			1121	12
		25 ^{+0.2} _{-0.4}	25			1111	11
		22.5 ^{+0.2} _{-0.4}	22.5			1101	10
		20 ^{+0.15} _{-0.35}	20			1091	9
		17.5 ^{+0.15} _{-0.35}	17.5			1081	8
		15 ^{+0.1} _{-0.3}	15			1071	7
		12.5 ^{+0.1} _{-0.3}	12.5			1061	6
		10 ^{+0.15} _{-0.3}	10			1051	5
1.35	0.85	7.5 ^{+0.15} _{-0.35}	7.5			1041	4
1.2	1	5 ^{+0.15} _{-0.3}	5			1031	3
1.2	1	2.5 ^{+0.15} _{-0.3}	2.5	22	11	1021	2
D	C	B	A	ORDER No.		極数	CKT.

MODEL No. : 5045-***AG



SEMIC TRADE, s.r.o.
Volutová 2521/18
158 00 Praha 5
Czech Republic

www.semic.cz
semic@semic.cz
tel.: +420 251 625 331, 332, 377
fax: +420 251 626 252, 393

REDRAWN & REVISED EC NO.: J2014-0920 DRWN:RHORI 2013/11/25 CHKD:KASAKAWA 2013/11/28 APPR:NIKIITA 2013/11/28	GENERAL TOLERANCES (UNLESS SPECIFIED)		DIMENSION STYLE MM ONLY		SCALE 5:1	DESIGN UNITS METRIC	THIRD ANGLE PROJECTION		
	10 UNDER ±0.2	10 OVER 30 UNDER ±0.25	DRAWN BY Y.MIZUNO	DATE 1990/03/23	TITLE KK2.5 WAFER ASSY WITH LOCK ENGLISH ONLY				
	30 OVER ±0.3	ANGULAR ±3 °	APPROVED BY M.ENOMOTO	DATE 1991/12/10	DOCUMENT NO. SD-5045-001				
	DRAFT WHERE APPLICABLE MUST REMAIN WITHIN DIMENSIONS		MATERIAL NO. SEE CHART	SIZE A3	THIS DRAWING CONTAINS INFORMATION THAT IS PROPRIETARY TO MOLEX INCORPORATED AND SHOULD NOT BE USED WITHOUT WRITTEN PERMISSION				