

1

2

3

4

5

6

7

8

A

B

C

D

E

F

G

H

A

B

C

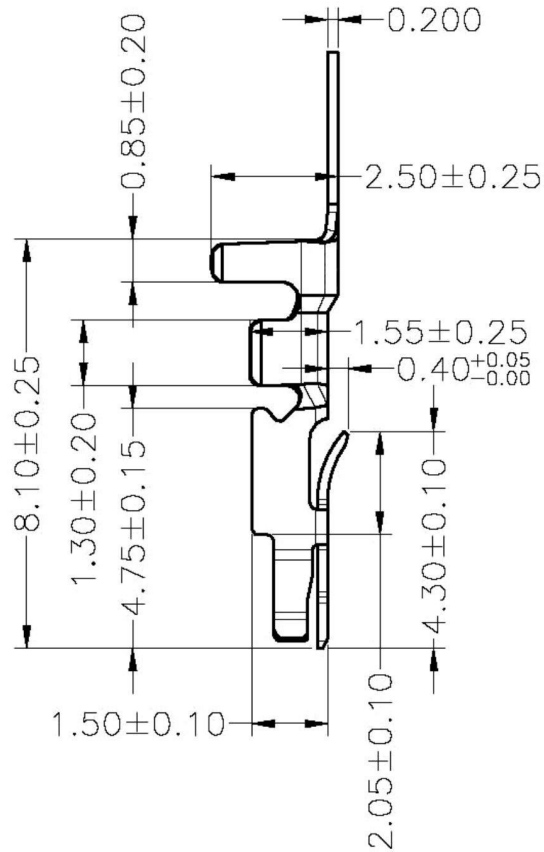
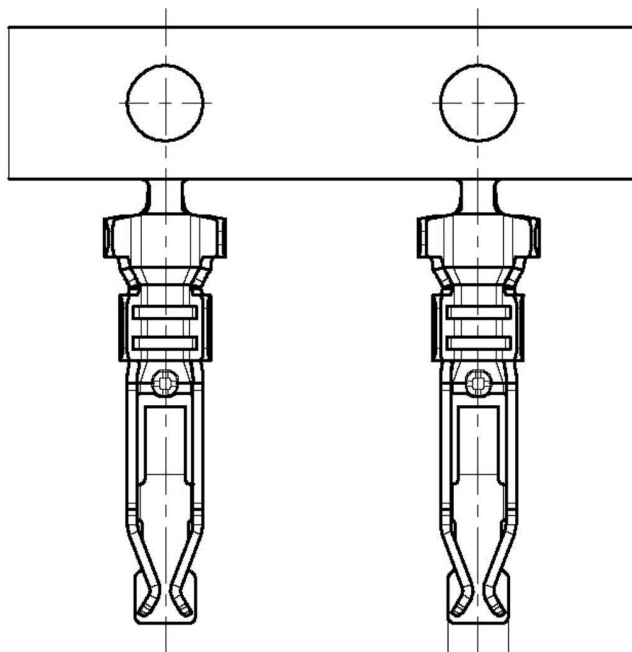
D

E

F

G

H



1.20±0.10

2.40±0.25

1.80±0.25

1.50±0.10

0.80±0.10

Kcr KONTAKT-PXH4350 Sn

Ordering Information & Specifications

Wire Range	Insulation O.D.	Material	Finish	Qty/reel
AWG#24-#28	1.60mm(max)	Phosphor Bronze	Tin-plated	10,000pcs

RoHS Compliant



SEMIC TRADE, s.r.o.
 Volutová 2521/118
 158 00 Praha 5
 Czech Republic

www.semic.cz
semic@semic.cz
 tel.: +420 251 625 331, 332, 377
 fax: +420 251 626 252, 393

APPD. 核准 HELEN

DWG. 製圖 ABBY

DATE 制表日 2012/09/26



SCALE 比例 參考

UNIT 單位 MM

PAGE 張數 1 OF 1

TOLERANCE 容許公差

X.X±0.25

X.XX±0.15

X.XXX±0.05

PART NAME 品名
 JST BHS 3.5mm TERMINAL
 (FEMALE TERMINAL)
 PHOSPHOR BRONZE TIN PLATING
 SUITABLE FOR 24~28AWG ROHS

PART NO.
 料號 T4350-TPL00000R

1

2

3

4

5

6

7

8