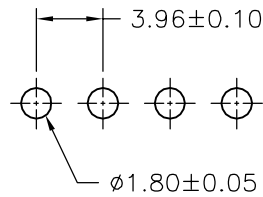
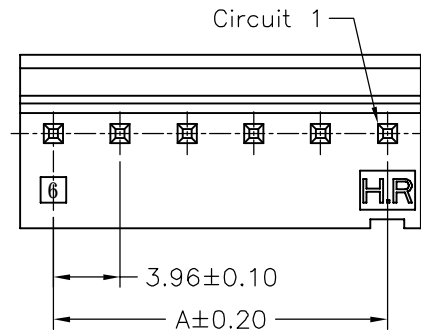
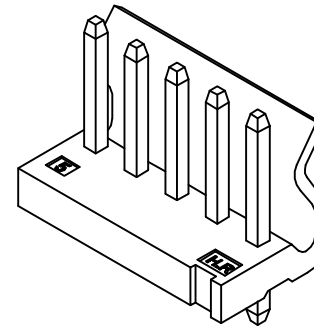


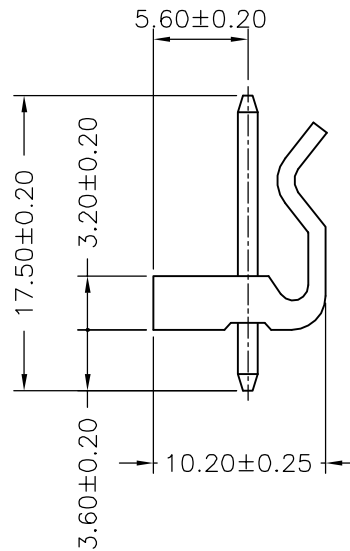
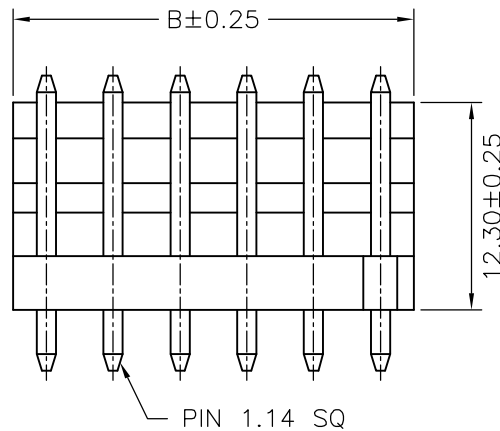
Kcr PAW2400-XX Sn &JO

SPECIFICATIONS

Current Rating: 7A AC,DC
 Voltage Rating: 250V AC,DC
 Temperature Range: -25°C ~ +85°C
 Contact Resistance: 10mΩ Max
 Insulation Resistance: 1000MΩ Min
 Withstanding Voltage: 1500V AC/minute
 Pin Material: Brass/Tin-plated
 Material: Nylon 66,UL94V-2
 Color: Natural(Translucent)



P.C.B LAYOUT



Ordering Information & Dimensions

PART NO.	Dimensions	
	A	B
A3960WV-02P	3.96	7.92
A3960WV-03P	7.92	11.88
A3960WV-04P	11.88	15.84
A3960WV-05P	15.84	19.80
A3960WV-06P	19.80	23.76
A3960WV-07P	23.76	27.72
A3960WV-08P	27.72	31.68
A3960WV-09P	31.68	35.64
A3960WV-10P	35.64	39.60
A3960WV-11P	39.60	43.56
A3960WV-12P	43.56	47.52
A3960WV-13P	47.52	51.48
A3960WV-14P	51.48	55.44
A3960WV-15P	55.44	59.40
A3960WV-16P	59.40	63.36
A3960WV-17P	63.36	67.32
A3960WV-18P	67.32	71.28
A3960WV-19P	71.28	75.24
A3960WV-20P	75.24	79.20

				Semic Trade, s.r.o. Volatova 2521/18 158 00 Praha 5 Czech Republic		www.semic.cz semic@semic.cz tel.: +420 251 625 331, 332, 377	
UNIT	SCALE			SHEET	TITLE:		
mm		1 of 1	3.96mm PITCH 180° WAFER				
DRAWN BY		APPROVED BY		DRAW NO.:			
董正一		董正一		A3960WV-XP			
2001.02.01		2001.02.01		REV. B1			
GENERAL TOLERANCE							
B1	REVISE	2006.10.31	X. X±0.25	ANGLE±			
B0	NEW RELEASE	2006.05.29	X. XX±0.15				
REV.	DESCRIPTION	DATE	X. XXX±0.05				