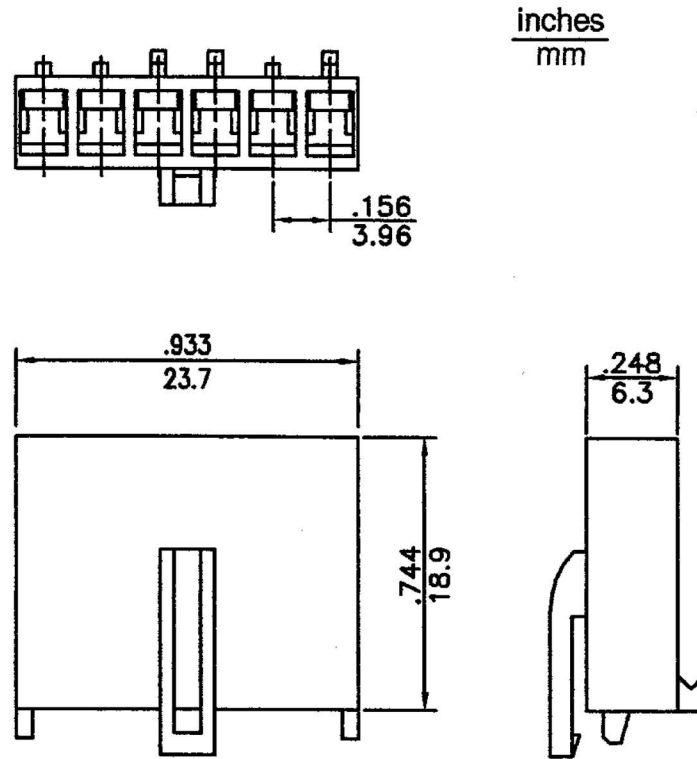


- * Poles:6
 - * Material:NYLON 66 UL94V-2 White
 - * Mates with W2460 -06,12 series wafer
- Specifications**
- * Current rating: 7A AC, DC
 - * Voltage rating: 250V AC, DC
 - * Temperature range: -25°C~+85°C
 - * Insulation resistance: 1,000MΩ min.
 - * Withstand voltage: 1500V AC/minute

Kcr PXH2450-06



**RoHS
Compliant**

**SEMIC
TRADE**

SEMIC TRADE, s.r.o. www.semic.cz
 Volutová 2521/18 semic@semic.cz
 158 00 Praha 5 tel.: +420 251 625 331, 332, 377
 Czech Republic fax: +420 251 626 252, 393

APPD.
核准



TOLERANCE
容許公差

PART NAME 品名

DWG.
製圖

Hedy

SCALE
比例 參考

.0 ±
.00 ±
ANG. ±

3.96mm HOUSING 6P WHITE COLOR
ROHS LOW-LEAD

DATE 制表日

2010/11/26

UNIT
單位

MM

SIZE.
紙張尺寸

A 4

PART NO.

料號 H2450-06PW0000R

PAGE
張數

1 / 1

REV.
版次

A