

Features:

- Available in 2 thru 24 circuits
- Material: UL 94V-0 nylon
- Standard color: Black
- Recommended panel thickness: 1.57mm

Specifications:

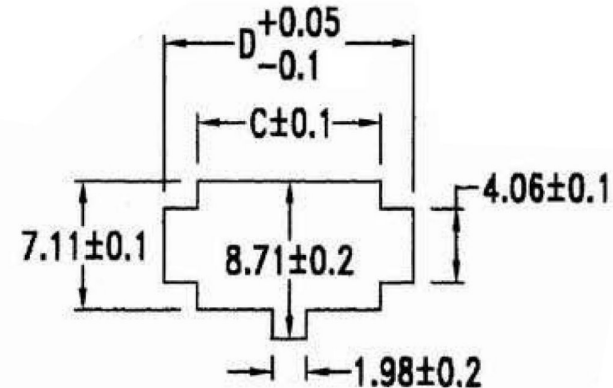
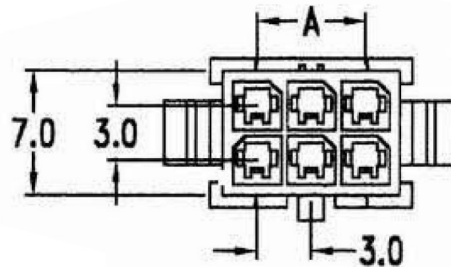
- Current rating:

Wire size	# 20	# 22	# 24	# 26	# 28	# 30
Amps	5 A	5 A	4 A	3 A	2 A	1 A

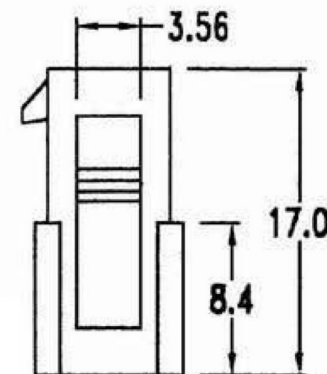
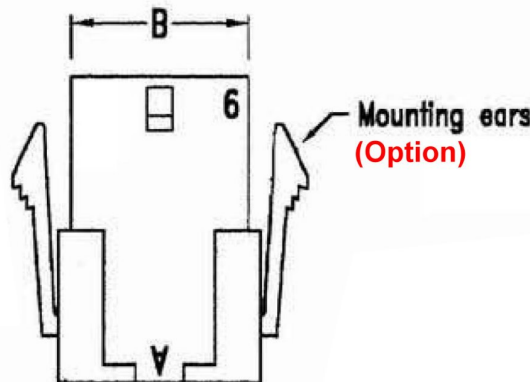
- Voltage rating: 250V AC(RMS) or DC
- Insulation resistance: 1000mΩ Min.
- Dielectric strength: 1500V AC/minute
- Temperature rise: 30°C max.
(carry rated current load)

Ordering Information

Part No.	Feature
H4030-XXPDB000R	With mounting ears
H4030-XXPDB001R	Without mounting ears



PANEL OPENING



Dimensional Information

Circuits	Dim. A	Dim. B	Dim. C	Dim. D	Circuits	Dim. A	Dim. B	Dim. C	Dim. D
2		4.0	4.21	7.90	14	18.0	22.0	22.20	25.88
4	3.0	7.0	7.21	10.90	16	21.0	25.0	25.20	28.88
6	6.0	10.0	10.21	13.89	18	24.0	28.0	28.20	31.88
8	9.0	13.0	13.21	16.89	20	27.0	31.0	31.22	34.87
10	12.0	16.0	16.21	19.89	22	30.0	34.0	34.22	37.87
12	15.0	19.0	19.21	22.89	24	33.0	37.0	37.22	40.87

RoHS
Compliant

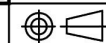


SEMIC TRADE, s.r.o.
Volutova 2521/18
158 00 Praha 5
Czech Republic
www.semic.cz
semic@semic.cz
tel.: +420 251 625 331, 332, 377
fax: +420 251 626 252, 393

APPD.
核准 BETTY

DWG.
製圖 BETTY

DATE 制表日
2010/09/17



SCALE
比例 參考

UNIT
單位 M M

PAGE
張數 1 OF 1

UNLESS OTHERWISE
SPECIFIED TOLERANCE

.000 ± 0.05 (mm)
.00 ± 0.15 (mm)
.0 ± 0.25 (mm)

SIZE
紙張尺寸 A 4

REV.
版次 A

PART NAME 品名
MICRO-FIT 3.0 FEMALE HOUSING
DUAL ROW 2X10P BLACK INSULATOR
ROHS

PART NO.
料號 H4030-XXPDB00XR