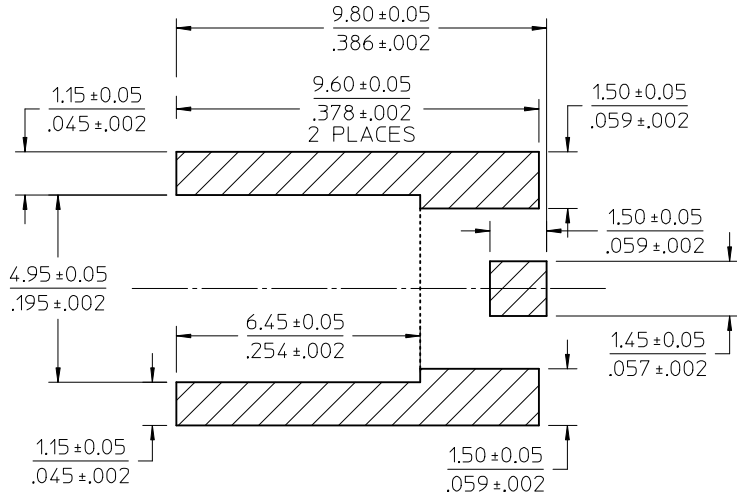
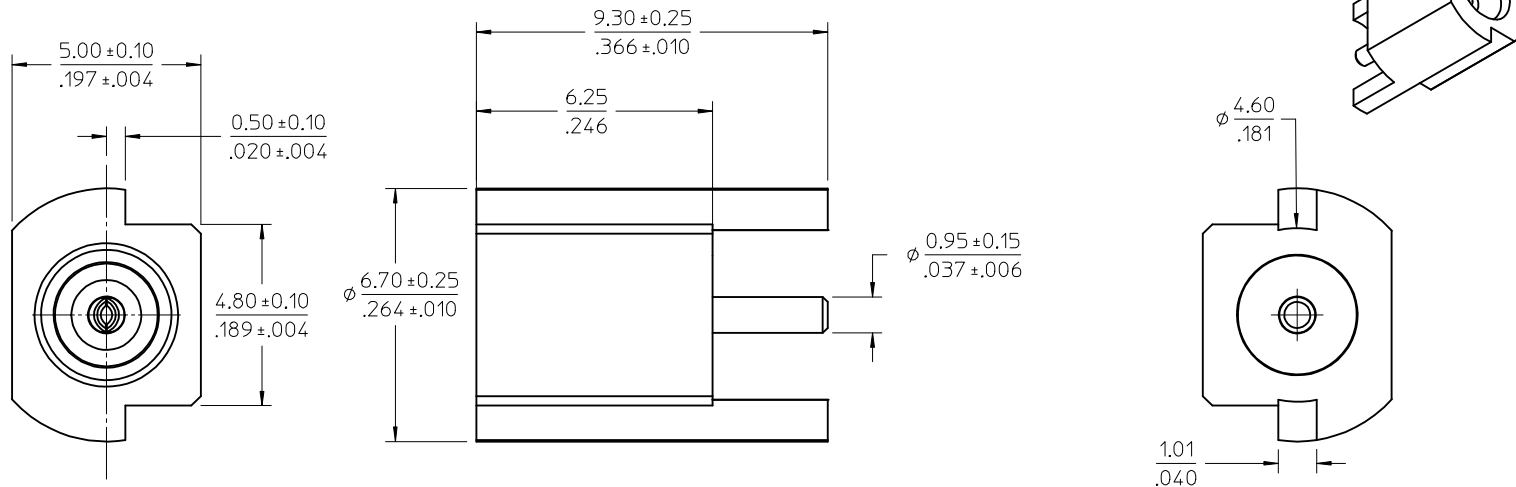


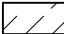
MATERIAL&FINISHES:

BODY: BRASS  
PLATING: SEE TABLE

CONTACT: BERYLLIUM COPPER  
PLATED GOLD

INSULATOR: TEFLON

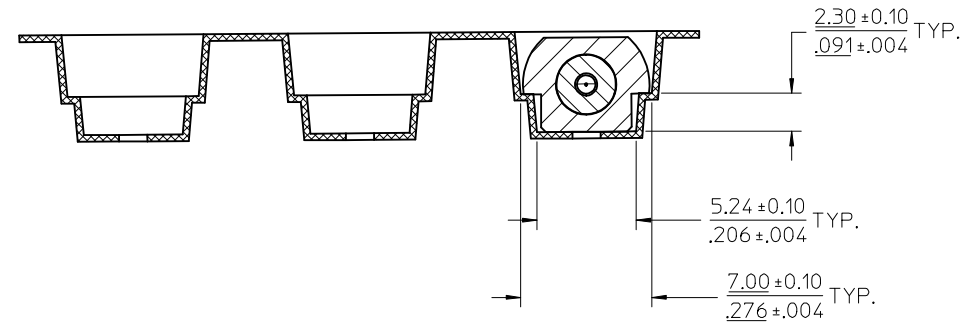
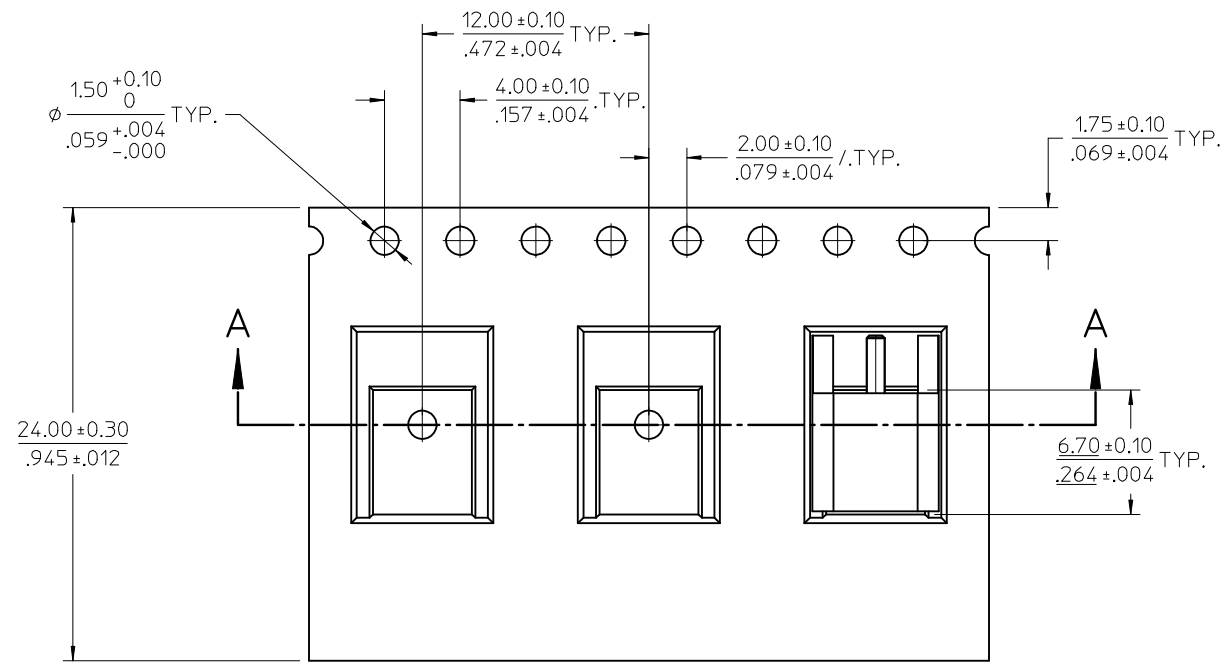


RECOMMENDED PCB LAYOUT  SOLDER PAD

73366-6330	GOLD FLASH	ONE PIECE PER BAG
73415-1069	GOLD (5u")	TAPE AND REEL
73415-1068	GOLD (5u")	TRAY
73415-1067	TRI-M	SMALL TRAY
73415-1066	TRI-M	TAPE AND REEL
73415-1065	TRI-M	TRAY
73415-1064	GOLD FLASH	TAPE AND REEL
73415-1063	GOLD FLASH	TRAY
73415-1062	GOLD (30u")	SMALL TRAY
73415-1061	GOLD (30u")	TAPE AND REEL
73415-1060	GOLD (30u")	TRAY
PART NO.	BODY PLATING	PACKAGING

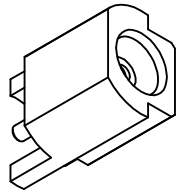
PS-89675-1830	PRODUCT SPECIFICATION
CECC-22-220	INTERFACE
SPECIFICATION	DESCRIPTION

ADDED SHEET 4 PER RF13-E035 EC NO: URF2013-0179 DRWNLIN 2012/09/19 CHKD: DRWNLIN APPR: MHIANG 2012/10/04	QUALITY SYMBOLS	GENERAL TOLERANCES (UNLESS SPECIFIED)	DIMENSION STYLE	SCALE	DESIGN UNITS	THIRD ANGLE PROJECTION
	$\nabla=0$	mm INCH	MM/IN	10:1	METRIC	
	$\nabla=0$	4 PLACES ± --- ± ---	DRAWN BY DATE	EDC 1999/02/15	TITLE	MCX JACK EDGE MOUNT PCB RECEPTACLE MCX-J/PCB <b>molex</b>
	$\nabla=0$	3 PLACES ± --- ± ---	CHECKED BY DATE	DHG 1999/02/15	DOCUMENT NO.	
	2 PLACES ± --- ± ---	APPROVED BY DATE	GMH 1999/02/15	SHEET NO.	1 OF 4	
	1 PLACE ± --- ± ---	ANGULAR ± 2 °		THIS DRAWING CONTAINS INFORMATION THAT IS PROPRIETARY TO MOLEX INCORPORATED AND SHOULD NOT BE USED WITHOUT WRITTEN PERMISSION		
	0 PLACE ± --- ± ---	DRAFT WHERE APPLICABLE MUST REMAIN WITHIN DIMENSIONS				

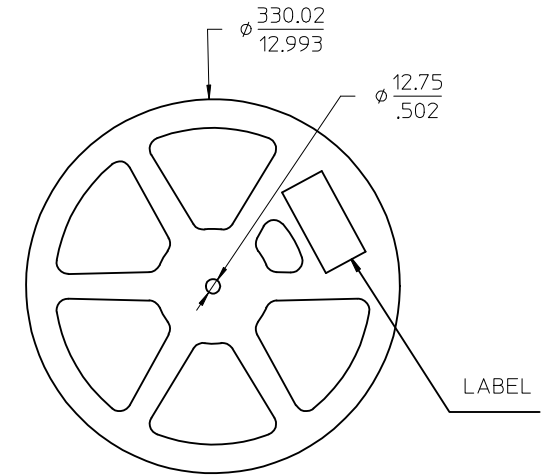
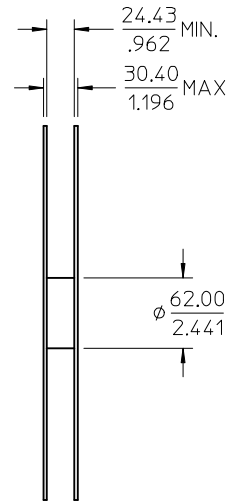


SECTION A-A

SEE SHEET 1 EC NO: URF2013-0179 DRAWN BY: DRWNLIN CHKD: APPR:MHUANG 2012/09/19 2012/10/04	QUALITY SYMBOLS	GENERAL TOLERANCES (UNLESS SPECIFIED)	DIMENSION STYLE	SCALE	DESIGN UNITS	THIRD ANGLE PROJECTION
	▽=0	mm INCH	MM/IN	5:1	METRIC	
	▽=0	4 PLACES ± --- ± ---	DRAWN BY DATE	TITLE		
	▽=0	3 PLACES ± --- ± ---	CHECKED BY DATE	MCX JACK EDGE MOUNT PCB RECEPTACLE MCX-J/PCB		
		2 PLACES ± --- ± ---	DHG 1999/02/15	<b>molex</b> DOCUMENT NO. SD-73415-106 SHEET NO. 2 OF 4		
		1 PLACE ± --- ± ---	APPROVED BY DATE			
		0 PLACE ± ±	GMH 1999/02/15			
		ANGULAR ± 2 °	MATERIAL NO.			
		DRAFT WHERE APPLICABLE MUST REMAIN WITHIN DIMENSIONS	SEE SHEET 1			
			SIZE C	THIS DRAWING CONTAINS INFORMATION THAT IS PROPRIETARY TO MOLEX INCORPORATED AND SHOULD NOT BE USED WITHOUT WRITTEN PERMISSION		

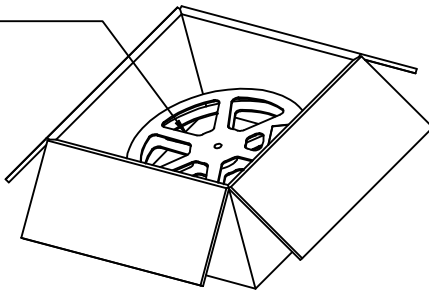


PART NO.73415-1061, 73415-1064  
73415-1066, 73415-1069

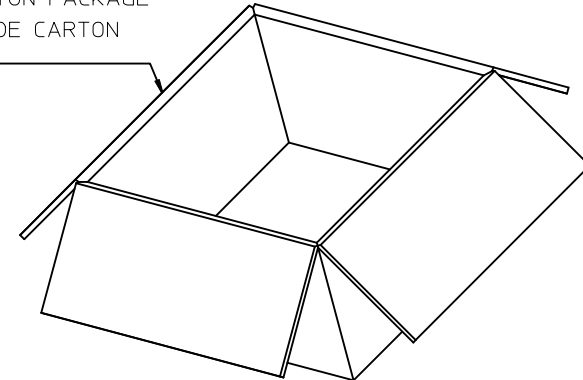


THE PART PACKAGE 1000 PCS PER ONE REEL

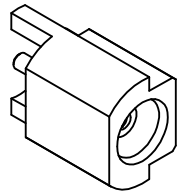
5 REELS (5000 PCS) PACKAGE  
PER ONE INNER CARTON



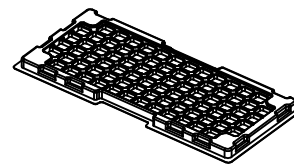
ONE INNER CARTON PACKAGE  
PER ONE OUTSIDE CARTON



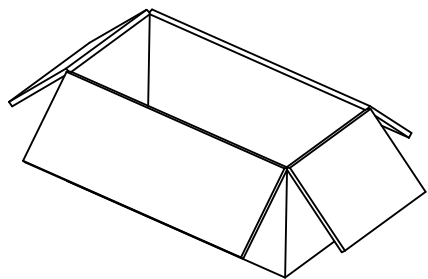
SEE SHEET 1 EC NO: URF2013-0179 DRAWN IN 2012/09/19 CHKD: APPR: MHIANG 2012/10/04	QUALITY SYMBOLS ▽=0 ▽=0 ▽=0	GENERAL TOLERANCES (UNLESS SPECIFIED)		DIMENSION STYLE MM/IN		SCALE 5:1	DESIGN UNITS METRIC	THIRD ANGLE PROJECTION		
		mm	INCH	DRAWN BY EDC	DATE 1999/02/15	TITLE MCX JACK EDGE MOUNT PCB RECEPTACLE MCX-J/PCB				
A13	DESCRIPTION REV	4 PLACES	±	±	CHECKED BY DHG	DATE 1999/02/15	molex			
		3 PLACES	±	±	APPROVED BY GMH	DATE 1999/02/15				
		2 PLACES	±	±	MATERIAL NO.		DOCUMENT NO.		SHEET NO.	
		1 PLACE	±	±	SEE SHEET 1		SD-73415-106		3 OF 4	
		0 PLACE	±	±	DRAFT WHERE APPLICABLE MUST REMAIN WITHIN DIMENSIONS					THIS DRAWING CONTAINS INFORMATION THAT IS PROPRIETARY TO MOLEX INCORPORATED AND SHOULD NOT BE USED WITHOUT WRITTEN PERMISSION



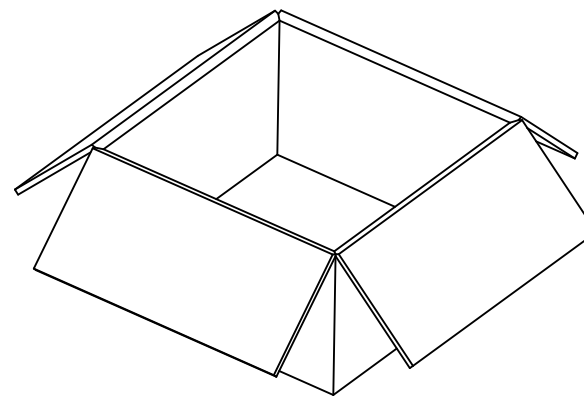
PART NO.73415-1060, 73415-1063  
73415-1065, 73415-1068



80 SET PER TRAY  
P/N: 89707-0190



1600 SET PER INNER CARTON BOX  
P/N: 96707-0001



3200 SET PER OUTER CARTON BOX  
P/N: 96708-0005

SEE SHEET 1 EC NO: URF2013-0179 DRAWN: LIN CHKD: APPR: MHIANG REV: A13	QUALITY SYMBOLS	GENERAL TOLERANCES (UNLESS SPECIFIED)		DIMENSION STYLE MM/IN		SCALE 1:5	DESIGN UNITS METRIC	THIRD ANGLE PROJECTION	
	▽=0	mm	INCH	DRAWN BY EDC	DATE 1999/02/15	TITLE MCX JACK EDGE MOUNT PCB RECEPTACLE MCX-J/PCB			
	▽=0	4 PLACES ± --- ± ---		CHECKED BY DHG	DATE 1999/02/15				
	▽=0	3 PLACES ± --- ± ---		APPROVED BY GMH	DATE 1999/02/15	MATERIAL NO.		DOCUMENT NO.	SHEET NO.
▽=0	2 PLACES ± --- ± ---		ANGULAR ± 2 °		SEE SHEET 1		SD-73415-106	4 OF 4	
	1 PLACE ± --- ± ---		DRAFT WHERE APPLICABLE MUST REMAIN WITHIN DIMENSIONS		THIS DRAWING CONTAINS INFORMATION THAT IS PROPRIETARY TO MOLEX INCORPORATED AND SHOULD NOT BE USED WITHOUT WRITTEN PERMISSION				
	0 PLACE ± --- ± ---								