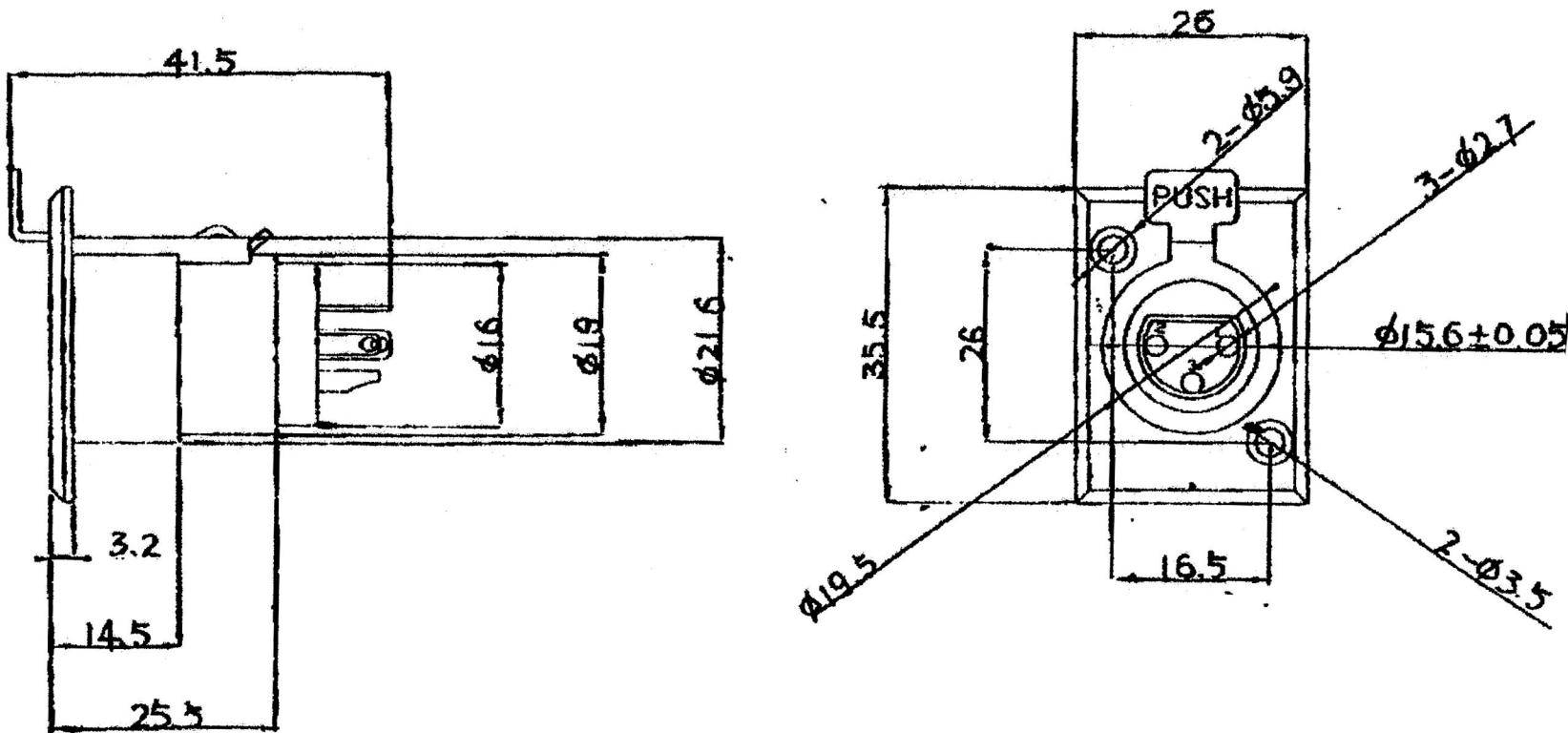


**RoHS  
Compliant  
Drawing For  
Reference Only**



Kmic 3 ZP 401

**Technical requirement :**

1. This product should meet EU RoHS related requirement.
2. The surface of plastic part should be without any crackle such as burr,lack,and so on phenomenon.
3. The surface of metal part should be without any defect such as scaur,nick,oxidation and plating problem.
4. The electronic performance should be the same as spec.
5. The un-specified tolerance is :  $<6 \pm 0.2$   
 $6 \sim 20 \pm 0.3$   
 $>20 \pm 0.4$



SEMIC TRADE, s.r.o. www.semic.cz  
 Volatová 2521118 semic@semic.cz  
 189 00 Praha 5 tel.: +420 251 625 331, 332, 377  
 Czech Republic fax: +420 251 626 252, 393

Design	K.W Law	Remark	Scale
Drawing	W.K Yeung	Remark	Material
Check	K.L Wong	Remark	Drawing No. A405211215
Approval	K.W Chan	Remark	Sheet

Item Name	MIKE CONNECTOR	Tolerance :
Item No.	MC-401-3P-EN	Unit : mm 