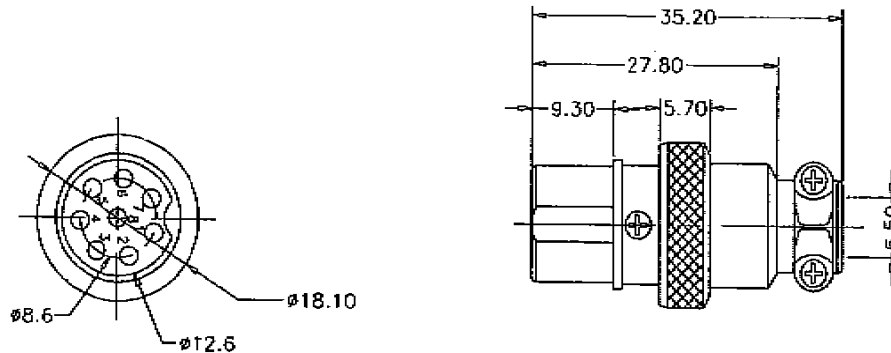
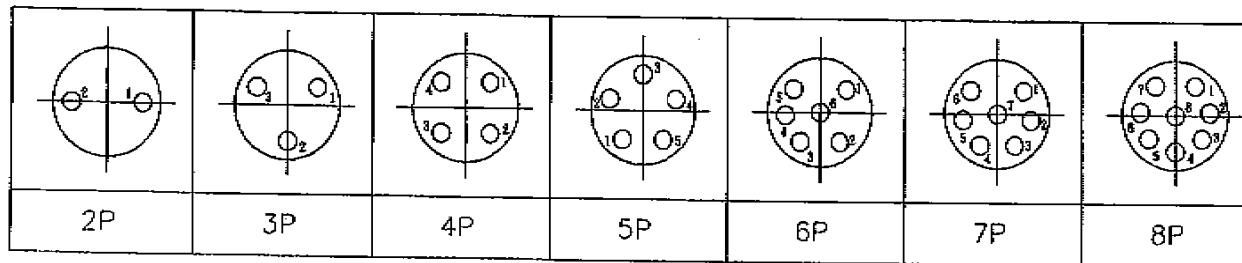


CUSTOMER	FILE NO. 10HC032-2~8	THIS DRAWING AND SPECIFICATIONS ARE THE CONFIDENTIAL PROPERTY OF SEMIC AND SHALL NOT BE REPRODUCED OR COPIED OR DISCLOSED IN WHOLE OR IN PART WITHOUT WRITTEN PERMISSION.	REV. 0	DESCRIPTION Initial Release	DATE 06/20/2001
----------	----------------------	---------------------------------------------------------------------------------------------------------------------------------------------------------------------------	--------	-----------------------------	-----------------



Specificate:  
 Handle: Zinc , Nickel-plated  
 Plastic: Bakelite , Black  
 Contact: Phosphor Bronze Nickel-plated

Kmic 8 ZK



NO.	P/N
2 PIN	10HC032-2
3 PIN	10HC032-3
4 PIN	10HC032-4
5 PIN	10HC032-5
6 PIN	10HC032-6
7 PIN	10HC032-7
8 PIN	10HC032-8

DIMENSIONS ARE IN mm (inch)	TOLERANCES ARE FRACTIONS DECIMALS ANGLES	MATERIAL	P/N 10HC032-2~8	DATE 06/20/2001
WELD NO.	.X ±0.2 [0.008]	FINISH	PROJECT NO.	APPROVED
10HC032-2~8	.XX ±0.12 [0.005]	COLOR	SCALE 1/1	DATE 06/20/2001
8P C , B female plug			SHEET 1 OF 1	REVISION