



Technical Data

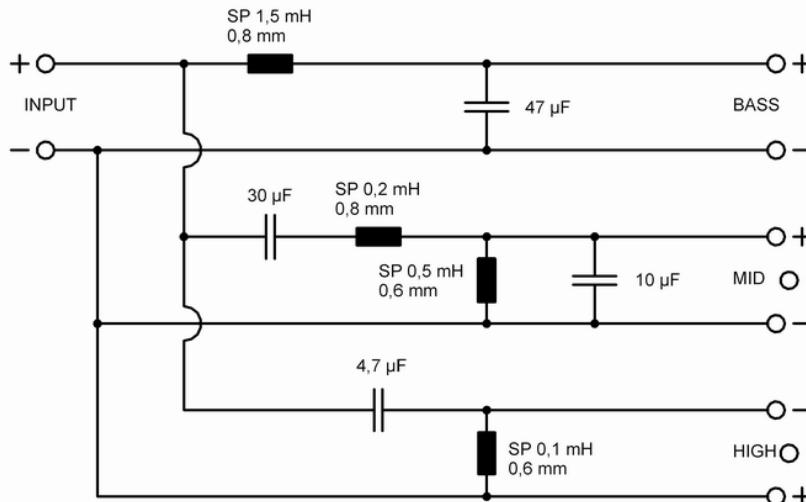
Rated power	100 W
Maximum power	160 W
Nominal impedance Z	4 Ohm
Skirt selectivity	12 dB / Okt.
Turn-over frequency	800 / 5000 Hz
Dimensions	100 x 150 mm

Hide data



Circuit diagram

HW 3/120 NG - 4 Ohm (800 / 5000 Hz) - 03.12.2008



* ohne Funktion / für Erweiterungen
(without function / for self-constructions)