



Type: FB-22-09 5222 8p(moon peg)
 Product Name: PCB JACK
 Description: ELECTRICAL
 CURRENT RATING: 1.5AMPS

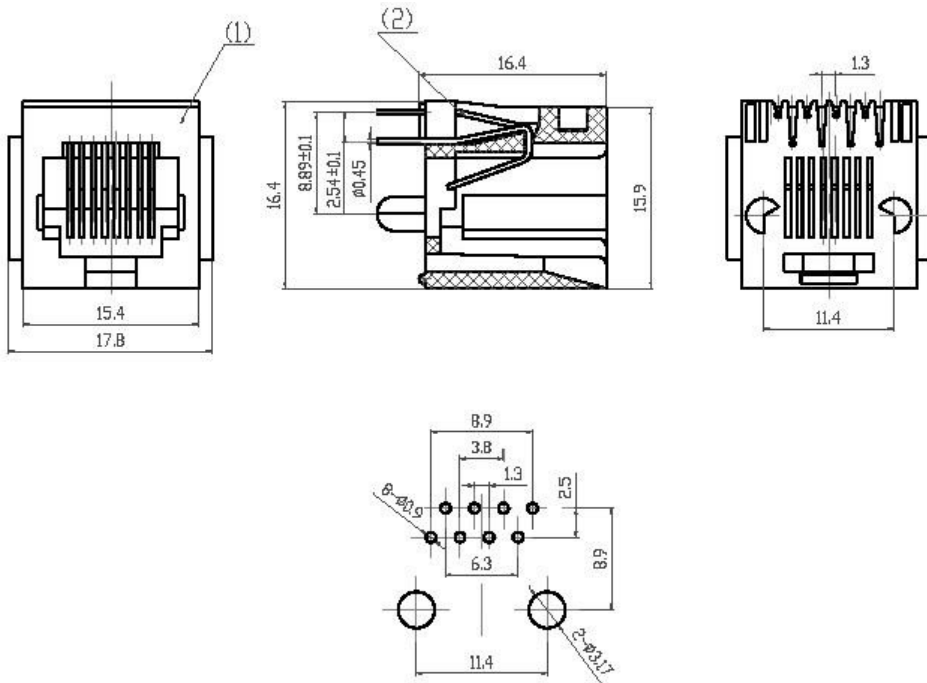
VOLTAGE RATING: 125VAC

INSULATION RESISTANCE: 100MEGOHMS MINI

WITHSTAND VOLTAGE: AC 1000V RMS 50Hz or 60Hz 1 MIN

CONTACT RESISTANCE: 20MILLMHOS MINI

Krj45 Z8/8DNG31BAS C52



MECHANICAL

INSERTION FORCE: 2 CONTACTS..350g 4 CONTACTS..500g
 6 CONTACTS..750g 8 CONTACTS..900g
 10 CONTACTS..1050g

RETENTION STRENGTH: 7.7Kg BETWEEN JACK AND PLUG

CRIMP TENSILE STRENGTH: 2.27Kg

DURABILITY: 750 MATING CYCLES MIN

MATERIAL

HOUSING: 1) ABS RESIN (UL94V-0) 2) GLASS FILLED PBT (UL94V-0)

CONTACT WIRE: 1) 0.45mm DIA PHOSPHOR BRONZE GOLD
 PLATING OVER NICKEL

2) 0.35mm THICKNESS PHOSPHOR BRONZE

ALLOY SELECTIVE GOLD PLATING OVER NICKEL

SHIELDING: 0.25mm THICKNESS COPPER ALLOY WITH TIN PLATED

GOLD PLATING: 3 INCH, 6u INCH, 15u INCH, 30u INCH, 50u INCH