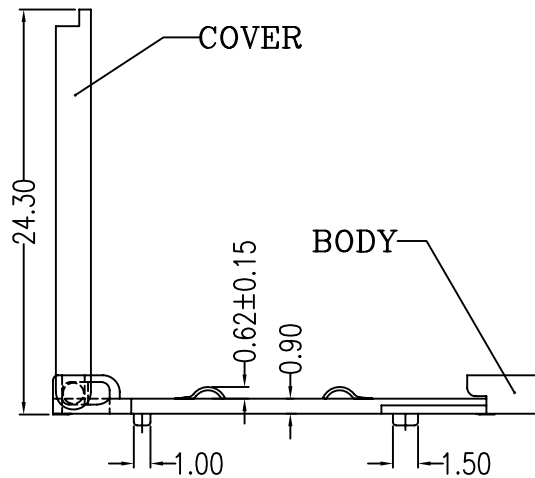


RECOMMEND P.C.B. LAYOUT
TOP VIEW



Material:

- 1.Body: PPS UL 94V-0 Rated, Color:Black;
- 2.Cover: LCP UL 94V-0 Rated, Color:Black;
- 3.Contact: Phosphor Bronze;
- 4.Contact Plating: Gold Plating Over Nickel on Contact Area, Tin Plating on Solder Tail.

Specification:

- 1.Current Rating: 0.5 AMP. Max.;
- 2.Dielectric Withstanding Voltage: 500V AC R.M.S For One Minute;
- 3.Insulation Resistance: 1000 MΩ Min. AT 500V AC;
- 4.Contact Resistance: 30 mΩ Max.;
- 5.Operating Temperature: -25°C to +85°C;
- 6.Durability: 5000 Cycles.
- 7.Processing Temp: 240°C for 30~60 Seconds Max

115B-A A A Q-R
1 2 3 4 5

1.Type

A:6 Pin

2.Contact Plating

A:Gold Flash

3.Stand Off

A:0mm

4.Peg

0:w/peg

5.RoHS

SIM CARD PINOUT	
PIN NO.	DESCRIPTION
C1	VCC
C2	RST CARD RESET (POTIONAL)
C3	CLK CARD CLOCK
C4	AS APPLICATION SPECIFIC
C5	GND GROUND
C6	VPP
C7	I/O IN/OUT
C8	AS APPLICATION SPECIFIC

UNLESS OTHERWISE SPECIFIED TOLERANCE	
ANG.	±5°
0.	±
.0	±0.25
.00	±0.20

SCALE: AS SHOWN UNIT: mm

DRAWN Willis 2009/06/19

CHECKED / /

APPROVED / /

SIZE A4 REV.



ATTEND TECHNOLOGY INC.

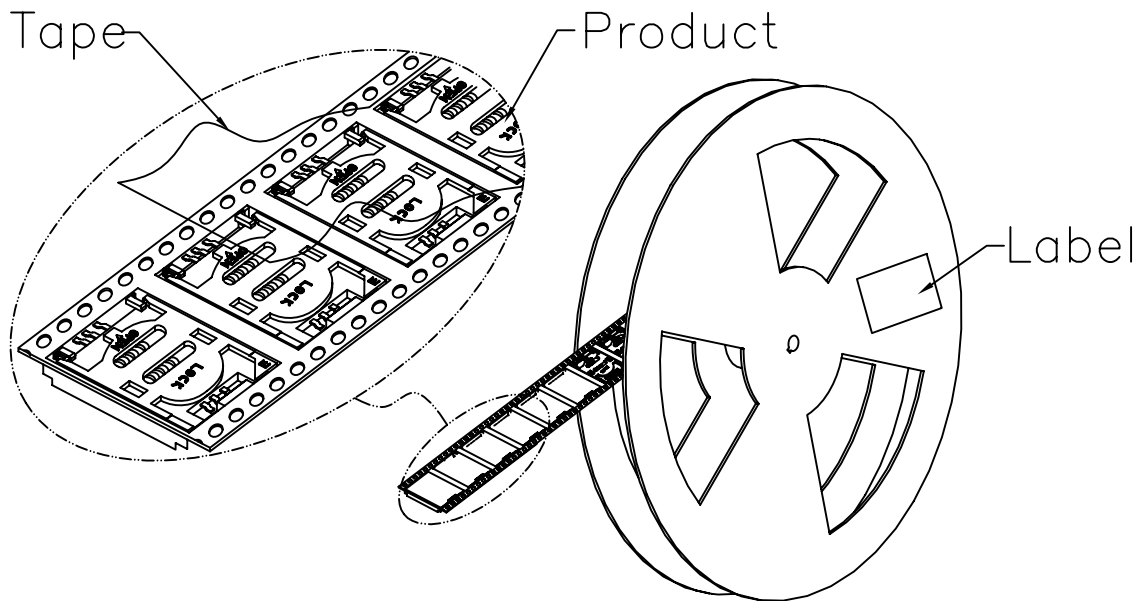
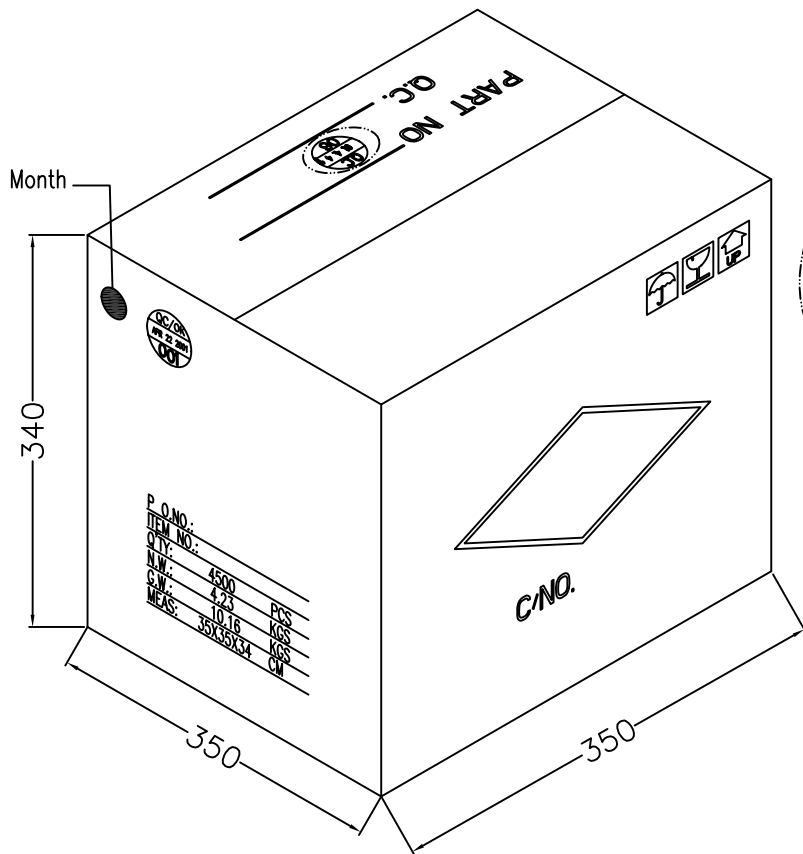
www.attend.com.tw

DRAWN NAME: SIM Card Socket Hinge type

PRODUCT NO. 115B-AAA0-R

FILE NAME: 115B-AAA0-R_B_1

REV.	DESCRIPTION	DATE	SIZE	REV.
1			A4	



PACKING DETAILS

P/O.NO.:
 ITEM NO.:
 Q'TY: 3900 PCS
 N.W.: 4.23 KGS
 G.W.: 10.16 KGS
 MEAS: 35X35X34 CM

650PCS/Reel, 1Reel/1PE Bag
 6Reel/Tarton
 3900PCS/Tarton.

UNLESS OTHERWISE SPECIFIED TOLERANCE	
ANG.	±5°
0.	±
.0	±0.25
.00	±0.20

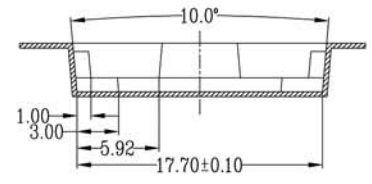
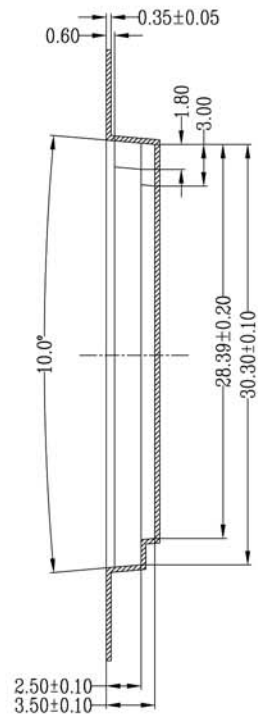
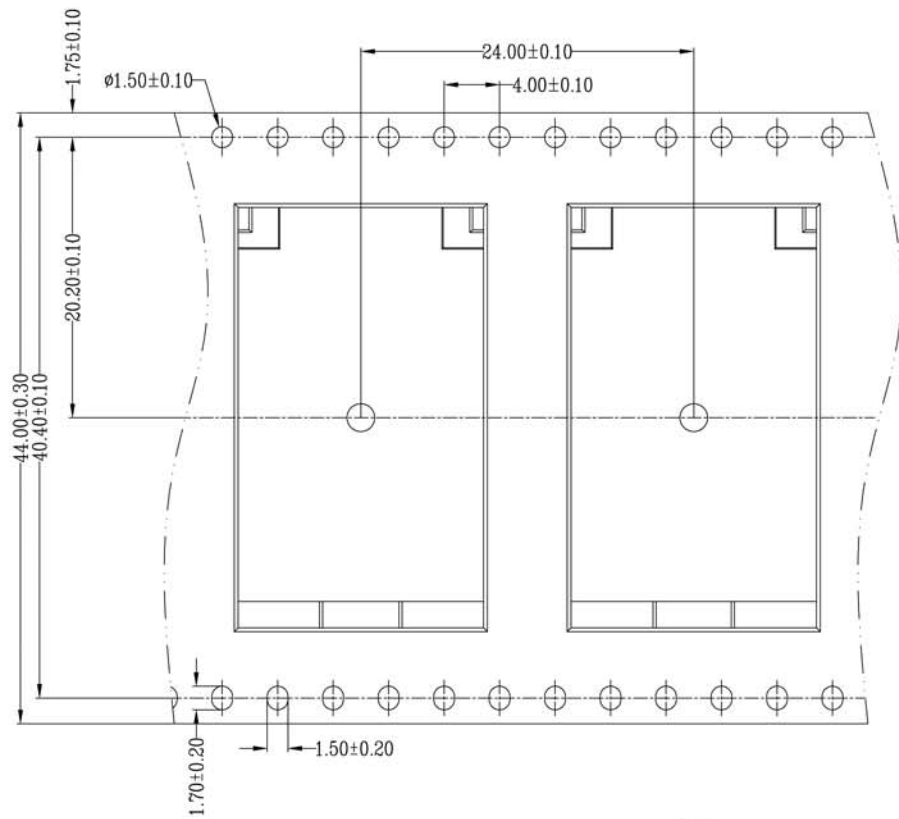
SCALE: AS SHOWN	UNIT: mm
DRAWN Willis	2007/3/20
CHECKED	/ /
APPROVED	/ /
SIZE A4	REV.



ATTEND TECHNOLOGY INC.
www.attend.com.tw

DRAWN NAME:	SIM Card Socket Packing
PRODUCT NO.	115B-XAAX-R-R
FILE NAME:	115B-XAAX-R-R_D_1

REV.	DESCRIPTION	DATE
1		
2		
3		
4		
5		
6		
7		



NOTE:
 1. Material: PS
 2. Reel: D/330mm

UNLESS OTHERWISE SPECIFIED TOLERANCE	
ANG.	±5°
0.	±0.3
.0	±0.25
.00	±0.20
SCALE:	AS SHOWN
UNIT:	mm
DRAWN	willis
CHECKED	/ /
APPROVED	/ /
DATE	2009/06/22
SIZE	A4

Attend
 ATTEND TECHNOLOGY INC.
 www.attend.com.tw

DRAWN NAME: SIM Card Socket Packing Drawing
 PRODUCT NO. 115B-AAAX-R-R
 FILE NAME: 115B-AAAX-R-R_D_1

REV.	DESCRIPTION	DATE
1		
2		
3		
4		
5		
6		