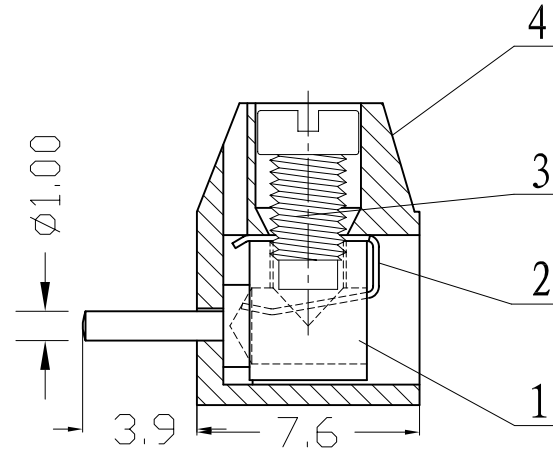
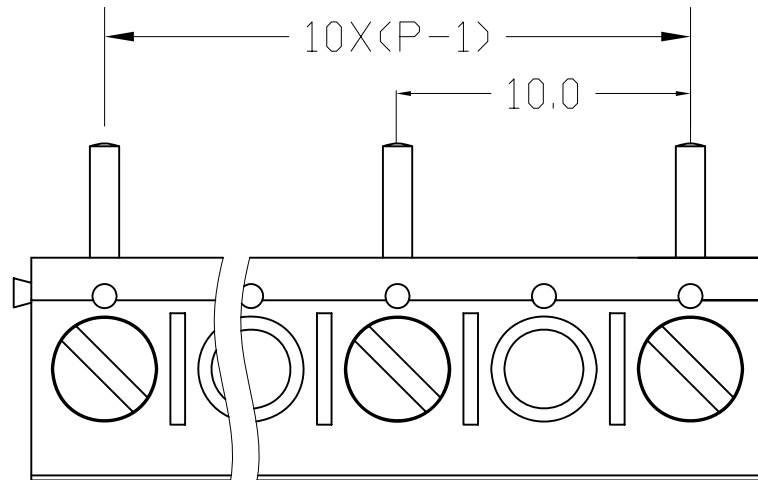
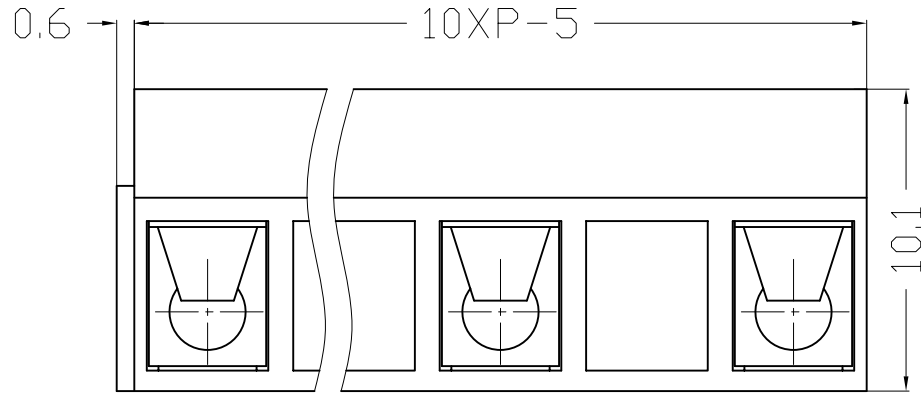


Ksv10# x X301R

序号/RevNo.	名称/Title	文件编号/File No.
1	XY301R 端子	QJ/XYT-2225201
2	XY301 簧片	QJ/XYT-2225101
3	XY301 螺丝	QJ/XYT-2125104
4	XY301R 塑件	QJ/XYT-2225202



300V 15A 22-14AWG 1.5mm<sup>2</sup>

Poles: 2-12P

Pitch: 10.00mm

Materials

Housing: PBT (UL 94V-0)

Wire Protector: Stainless Steel

Solder Pin: Brass, Tin Plated

Screw: M2.5, Steel (A3), Zinc Plated

Torque: 0.4N.m



Semic Trade, s.r.o., Volutová 2521/18, 158 00 Praha 5  
 Telephone: +420 251 625 331, 251 625 332, 251 625 377  
 GSM: +420 605 999 994 Fax: +420 251 626 252, 251 626 393



[www.semic.cz](http://www.semic.cz)  
[semic@semic.cz](mailto:semic@semic.cz)

设计/Designed by	绘图/Drawing by	审核/Checked by	批准/Approved by	未注公差 General Tolerance	
				x. ±0.2	x.° ±2°
		图名/Title	文件编号/File No.	.x ±0.1	.x° ±1°
		XY301RA-10mm	QJ/XYT-2225300	.xx ±0.05	.xx° ±0.5°
		备注/Remark	页序/Sheet	.xxx ±0.01	
				单位/Units: mm	