

# XY304V-5.0 XY304V-5.08



## Dimensions

Poles: 2P,3P-24P  
Pitch: 5.0mm(.197"),5.08mm(.200")

## Electrical

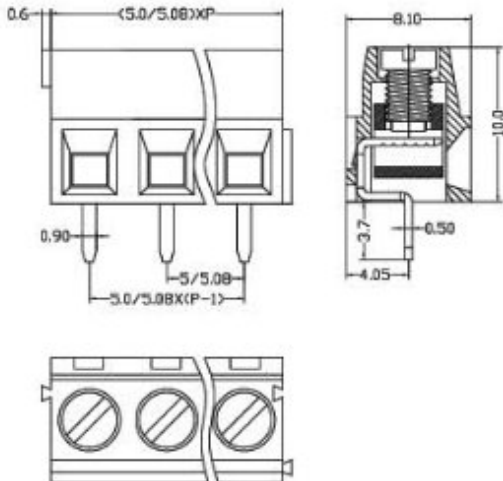
Standard: UL IEC  
Voltage Rating: 300V 250V  
Current Rating: 12A 15A  
Wire range: 26-14AWG 1.5mm<sup>2</sup>  
Withstand voltage AC2000V/Min

## Mechanical

Torque: 0.5N.m(4.4Lb-In.)  
Ambient temperature -40°C~+105°C  
Strip length 5-6mm

## Material

Housing: PA66(UL 94V-0)  
Pin header: Brass,Tin Plated  
Wire Cage: Brass,Nickel Plated  
Screw: M3,steel,A3 Zn plated



Ksv 5# x X304V  
Ksv 5.08# x X304V