

STL950/..F-5.0-V-GREEN



A Phoenix Mecano Brand

Technical Data

Wire sizes		Insulating Material	
Solid min	-	Material	PA 6.6
Solid max	-	Flammability Class	UL 94 V-0
Stranded (flexible) min	-	Temperatures	
Stranded (flexible) max	-	Operating Temperature (without mech. load)	-40 °C - 105 °C
Stranded with Ferrule min	-	Store Temperature	-40 °C - 105 °C
Stranded with Ferrule max	-	Wave Soldering Process	
Dimensions		Soldering Temperature, recommended	260 °C
PCB Hole Diameter	1.4 mm	Peak Soldering Time, recommended	3-4 s
Materials		Reflow Process	
Thread Insert, Flange	Brass	Soldering Temperature, recommended	-
Contact Pin	Copper Alloy	Peak Soldering Time, recommended	-

Colours

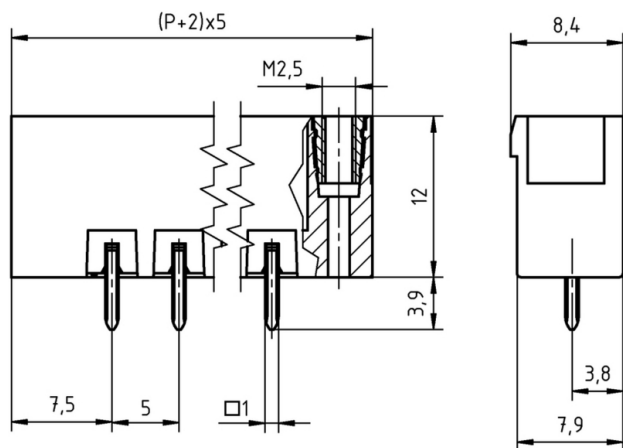
	GREEN, RAL 6018
	BASALT GREY, RAL 7012
	LIGHT GREEN, similar RAL 6018

Colours according to RAL, there may be variations on colour due to production conditions. Special colours on request.

Counterparts (Spacing 5.0 mm)

Terminal Block		
AK950	AK1200	AK4951

In combination of connectors with different admission data, the lower value is valid.



Order Data (Spacing 5.0 mm)

Poles	Width (mm)	Article Designation	Article Number	PU
2	20.00	STL950/2F-5.0-V-GREEN	50950026101 E	100
3	25.00	STL950/3F-5.0-V-GREEN	50950036101 E	100
4	30.00	STL950/4F-5.0-V-GREEN	50950046101 E	100
5	35.00	STL950/5F-5.0-V-GREEN	50950056101 E	100
6	40.00	STL950/6F-5.0-V-GREEN	50950066101 D	50
7	45.00	STL950/7F-5.0-V-GREEN	50950076101 D	50
8	50.00	STL950/8F-5.0-V-GREEN	50950086101 D	50
9	55.00	STL950/9F-5.0-V-GREEN	50950096101 D	50
10	60.00	STL950/10F-5.0-V-GREEN	50950106101 D	50
11	65.00	STL950/11F-5.0-V-GREEN	50950116101 D	50
12	70.00	STL950/12F-5.0-V-GREEN	50950126101 D	50
13	75.00	STL950/13F-5.0-V-GREEN	50950136101 D	50
14	80.00	STL950/14F-5.0-V-GREEN	50950146101 D	50
15	85.00	STL950/15F-5.0-V-GREEN	50950156101 D	50
16	90.00	STL950/16F-5.0-V-GREEN	50950166101 D	50
17	95.00	STL950/17F-5.0-V-GREEN	50950176101 D	50
18	100.00	STL950/18F-5.0-V-GREEN	50950186101 D	50
19	105.00	STL950/19F-5.0-V-GREEN	50950196101 D	50
20	110.00	STL950/20F-5.0-V-GREEN	50950206101 D	50
21	115.00	STL950/21F-5.0-V-GREEN	50950216101 D	50
22	120.00	STL950/22F-5.0-V-GREEN	50950226101 D	50
23	125.00	STL950/23F-5.0-V-GREEN	50950236101 D	50
24	130.00	STL950/24F-5.0-V-GREEN	50950246101 D	50

Accessoires

Figure	Designation	Article Number
	Coding Star CS2-5.0/5.08-RED	Order Data: 50000000024
	Separating Element SE-STL950-GREEN	Order Data: 50950000002

Ratings

UseGroup	cUL [®] US			VDE
	B	C	D	
Rated Voltage	300 V	150 V	300 V	250 V
Rated Current	15 A	15 A	10 A	12 A
Overvoltage Category				III
Test Voltage	1.60 kV	1.30 kV	1.60 kV	4.0 kV
Pollution Degree				3