

153 series

USB A TYPE STACK

Specifications:

Contact Resistance: 30m Ω max.
 Insulator Resistance: 1000M Ω min.at DC 500V
 Current Rating: 1AMP
 Voltage Rating: 30V AC

Dielectric Withstanding

Housing: PBT&30% Glass Fiber(UL 94V-0)
 Contact: Phosphor Bronze
 Dielectric Strength:AC 500V For 1 minute

How To Order

153 - W 1 03

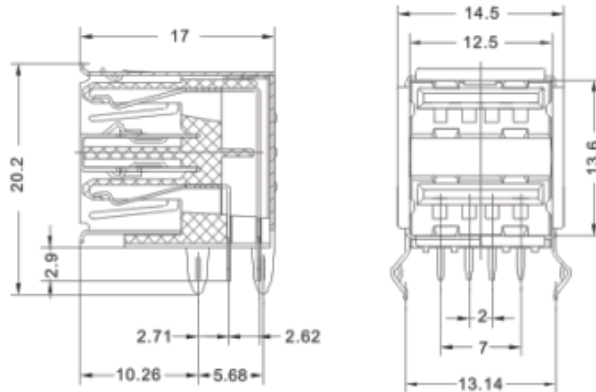
1 2 3 4

SERIES NO ——— 1

COLOR OF HOUSING (K-BLACK, W-WHITE) ——— 2

GOLD PLATING: (03-AU3 μ " ,30-AU30 μ ") ——— 3

PLATING: 1-NI 2-TIN-LEAD ——— 4



Kusb 8317-08DR