

Kusb 8319-04BPF WH

1.MECHANICAL:

- 1.1 INSERTION FORCE: 35N MAX.
- 1.2 WITHDRAWAL FORCE: 10N MIN.
- 1.3 DURABILITY: 1500 CYCLES MIN.

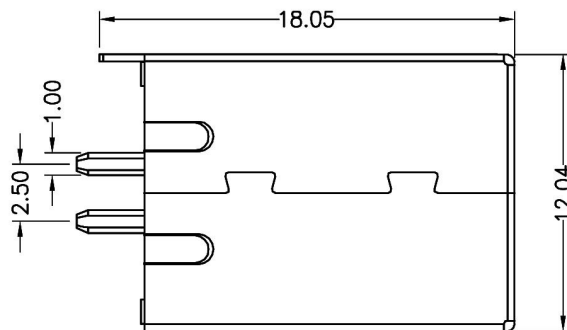
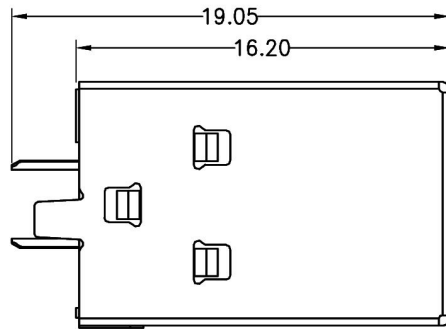
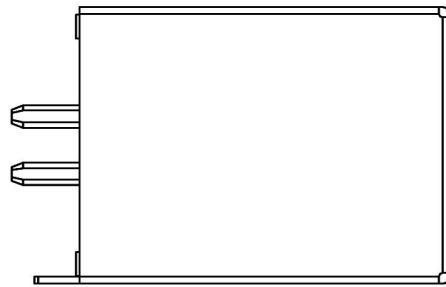
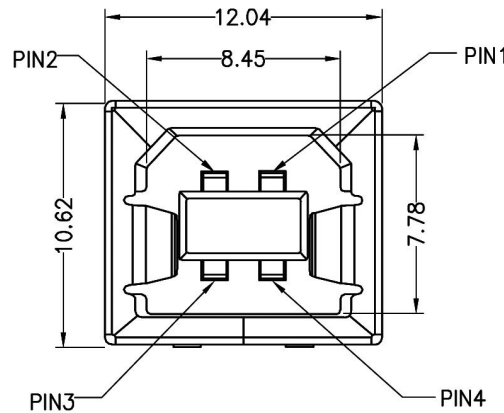
2.ELECTRICAL:

- 2.1 CONTACT RESISTANCE: 30m MAX.
- 2.2 INSULATION RESISTANCE: 1000M MIN.
- 2.3 DIELECTRIC WITHSTANDING VOLTAGE: 500V AC

3.ENVIRONMENTAL:

- 3.1 TEMPERATURE RANGE:-20°C TO +85°C

3	HOUSING	1	HIGH TEMPERATURE THERMOPLASTICS,UL94V-0	
2	CONTACTS	4	COPPER ALLOY	GOLD/TIN OVER NICKEL
1	SHELL	1	SPCC	NICKEL PLATED
ITEM	NAME	Q'TY	MATERIAL	FINISH



SEMIC TRADE, s.r.o.
 Volutova 2521/18
 158 00 Praha 5
 Czech Republic

www.semic.cz
semic@semic.cz
 tel.: +420 251 625 331, 332, 377
 fax: +420 251 626 252, 393

APPD. 核准	Hedy
DWG. 製圖	Hedy
DATE 制表日	2013/09/26

SCALE 比例	參考
UNIT 單位	MM
PAGE 張數	1 / 1
GENERAL TOLERANCE	X.X ±0.20 X.XX ±0.15 X.XXX ±0.05
SIZE 紙張尺寸	A 4
REV. 版次	A

PART NAME 品名	USB CONNECTOR SOLDER TYPE 4P B TYPE FEMALE WHITE OR BLACK INSULATOR ROHS
PART NO. 料號	C8319-04BFSXX0R