

5mm Red LED

OSHR5161A-MN

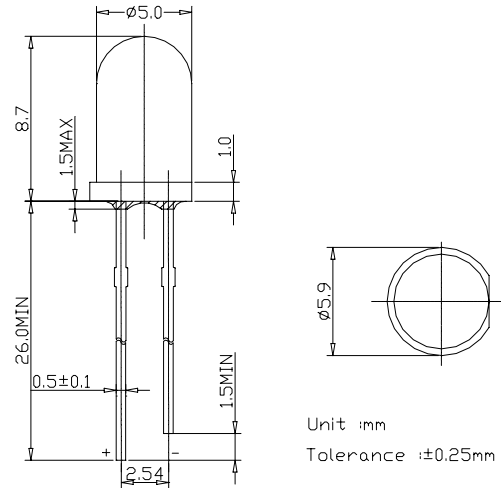
■Features

- High Power LEDs
- 5mm Standard Directivity
- Water clear Type
- Superior Weather-resistance

■Applications

- Automotive Dashboard Lighting
- Traffic signal lamp
- Back Lighting

■Outline Dimension

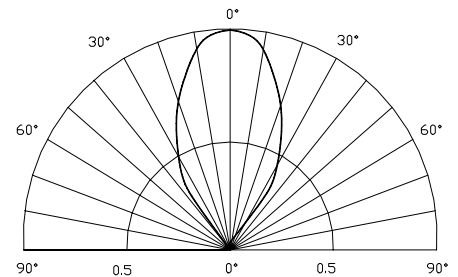


■Absolute Maximum Rating (Ta=25 °C)

Item	Symbol	Value	Unit
DC Forward Current	I _F	30	mA
Pulse Forward Current*	I _{FP}	100	mA
Reverse Voltage	V _R	5	V
Power Dissipation	P _D	120	mW
Operating Temperature	Topr	-30 ~ +80	
Storage Temperature	Tstg	-30 ~ +100	
Lead Soldering Temperature	Tsol	260 /5sec	-

*Pulse width Max.10ms Duty ratio max 1/10

■Directivity



■Electrical -Optical Characteristics (Ta=25 °C)

Item	Symbol	Condition	Min.	Typ.	Max.	Unit
DC Forward Voltage	V _F	I _F =20mA	1.8	2.0	2.4	V
DC Reverse Current	I _R	V _R =5V	-	-	30	μA
Domi. Wavelength	λ _D	I _F =20mA	620	625	630	nm
Luminous Intensity	I _v	I _F =20mA	1560	2180	3000	mcd
50% Power Angle	2θ _{1/2}	I _F =20mA	-	60	-	deg

LED & Application Technologies



Semic Trade, s.r.o., Volutová 2521/18, 158 00 Praha 5
 Telephone: +420 251 625 331, 251 625 332, 251 625 377
 GSM: +420 605 999 994 Fax: +420 251 626 252, 251 626 393



www.semic.cz
 semic@semic.cz