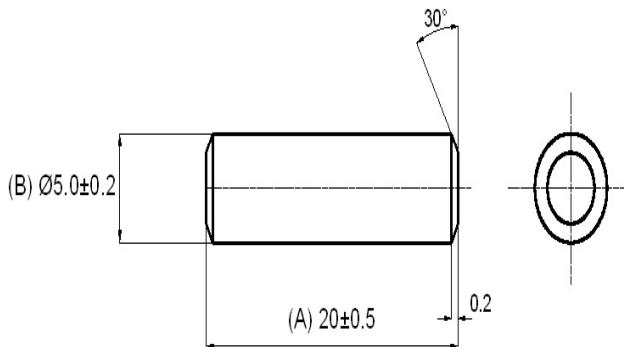


Effective Parameters irrespective of material grade (per piece)  
Approximate weight : 1.8g



## R0520 (OL)

Material Grade	Initial Permeability ( $\mu_{iac}$ )	Ordering code
CF139	2100 $\pm$ 20%	CF139R0520 OL



For Cosmo Ferrites Limited-INDIA

Checked By: A.K.  
Approved By: B.S.  
Authorized By: KSR  
Date: 24-01-2014(ISSUE NO.1)

Customer's Approval  
Authorized Signatory:  
Name:  
Date: