



PRODUCT DATA APPROVAL SHEET

Core- R0625

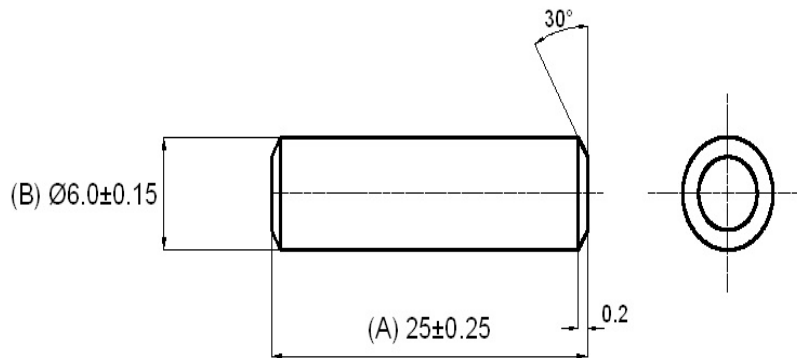
Cosmo Ferrites Ltd. - INDIA

Appearance & Shape: To be free from any defect such as flow, burrs, unevenness etc, As per IEC standards.

Approximate weight: 3.5g/pc

R0625

Material Grade	Initial Permeability (μ_{iac})	Ordering code
CF139	2100 \pm 20%	CF139 R0625



For Cosmo Ferrites Limited-INDIA

Checked By: A.K.
Approved By: B.S.
Authorized By: KSR
Date: 03-04-2014(ISSUE NO.1)

Customer's Approval
Authorized Signatory:
Name:
Date:



SEMIC TRADE, s.r.o.
Volutová 2521/18
158 00 Praha 5
Czech Republic

www.semic.cz
semic@semic.cz
tel.: +420 251 625 331, 332, 377