



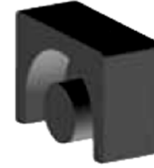
PRODUCT DATA APPROVAL SHEET

Core- EP7

Cosmo Ferrites Ltd. -INDIA

Appearance & Shape: To be free from any defect such as flow, burrs, unevenness etc., as per IEC standards.
Effective Parameters irrespective of material grade (per set)

Parameter	Value	Unit
Effective Length (L_e):	15.7	mm
Effective Area (A_e):	10.3	mm ²
Effective Area (A_{min}):	8.55	mm ²
Effective Volume (V_e):	162	mm ³
Approximate weight(m):	1.4	g/set

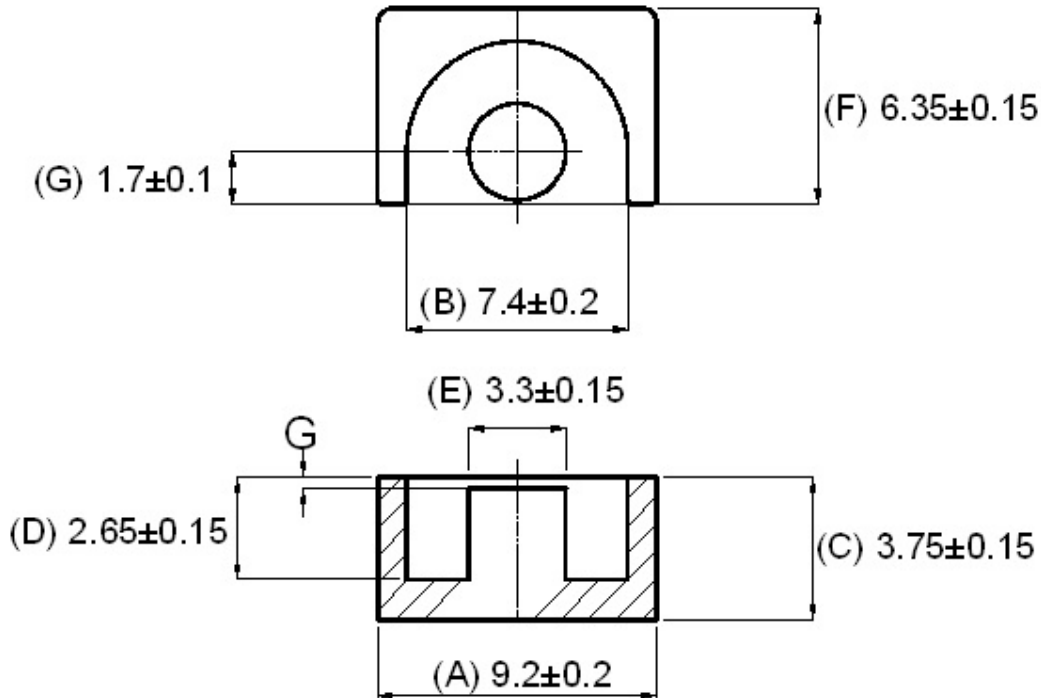


“Clamping force for AL measurement is 20 ±10 N, unless otherwise stated”

EP7 Un-gapped (OL)

Test Conditions: 1kHz/1mT/CFR COIL, N=100/25°C

Material Grade	Initial Permeability (μ_{iac})	AL Value (nH)	μ_e Approx./Set	P_v (W/set) (25kHz,200mT, 100°C)	P_v (W/set) (100kHz,100mT, 100°C)	P_v (W/set) (100kHz,200mT, 100°C)	Ordering code
CF138	2100 ±20%	1050 +30%/-20%	≈ 1249	-	≤ 0.018	-	CF138 EP7 OL
CF139	2100 ±20%	1050 +30%/-20%	≈ 1410	-	≤ 0.016	-	CF139 EP7 OL
CF297	2300 ±20%	1200 +30%/-20%	≈ 1450	≤ 0.018	≤ 0.0 14	≤ 0.08	CF297 EP7 OL



General Terms & Conditions



Checked By: A.K.
Approved By: B.S.
Authorized By: KSR
Date: 20-01-2017
Rev. No.: 03

Customer's Approval
Authorized Signatory:
Name:
Date:

General Terms & Conditions



Semic Trade, s.r.o., Volutová 2521/18, 158 00 Praha 5
Telephone: +420 251 625 331, 251 625 332, 251 625 377
GSM: +420 605 999 994 Fax:+420 251 626 252, 251 626 393



www.semic.cz
semic@semic.cz