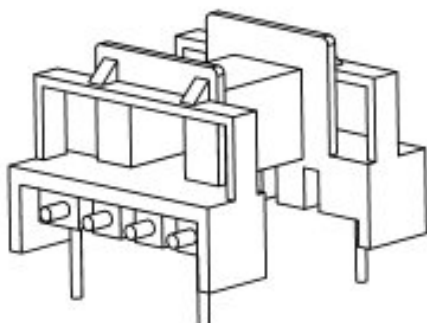
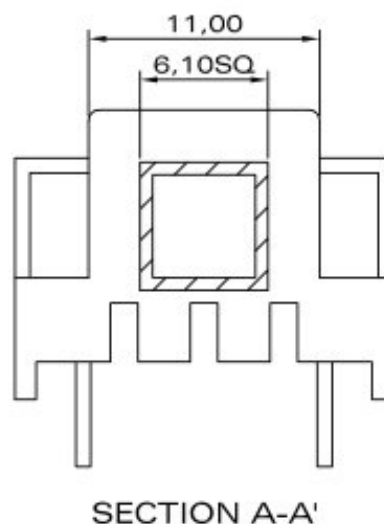
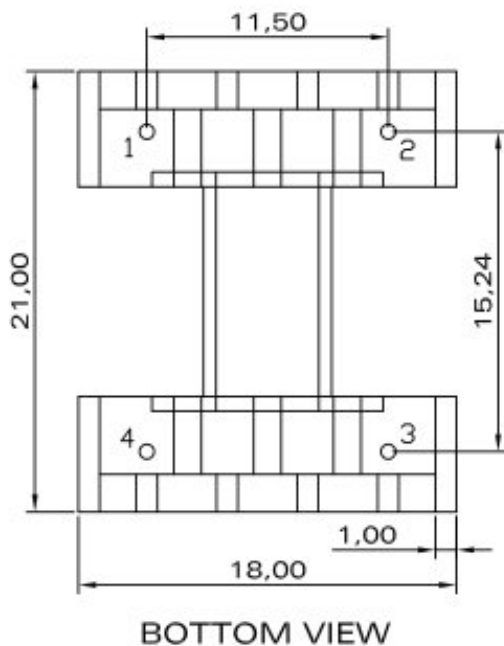
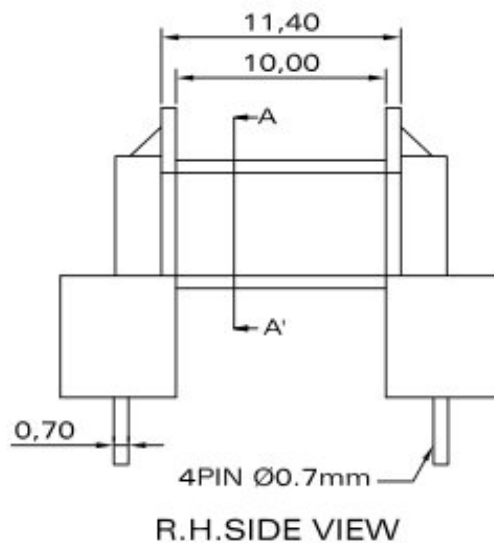
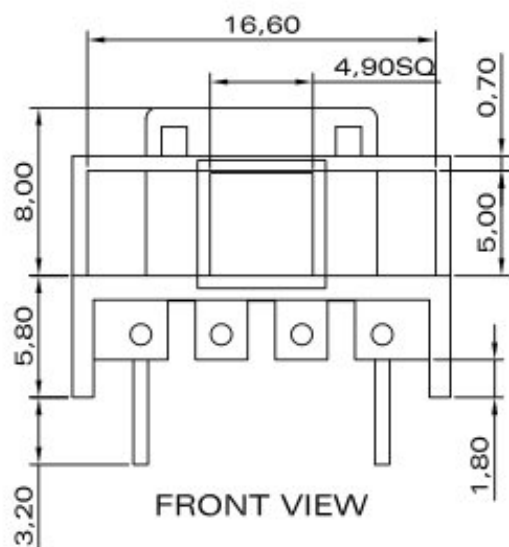


Lj_E1605hp4p1s/e_Sd



NOTE:

- (1) All dimensions are in mm.
- (2) Weight[g]:
- (3) Tolerance for all dimension is (± 0.2 mm)
- (4) Molding material:
 - (a) N66-G.F.30% F.R
 - (b) N66-G.F.30% Non F.R
 - (c) Rynite PET
 - (d) PBT
- (5) Pin material: PB or COPPER