



# PRODUCT DATA APPROVAL SHEET

Core- EER2811A

Cosmo Ferrites Ltd. - INDIA

**Appearance & Shape:** To be free from any defect such as flow, burrs, unevenness etc, As per IEC standards.

**Effective Parameters irrespective of material grade (per set)**

- Effective Length ( $L_e$ ): 64.0mm
- Effective Area ( $A_e$ ): 82.1mm<sup>2</sup>
- Effective Area ( $A_{Min}$ ): 73.0mm<sup>2</sup>
- Effective Volume ( $V_e$ ): 5257mm<sup>3</sup>

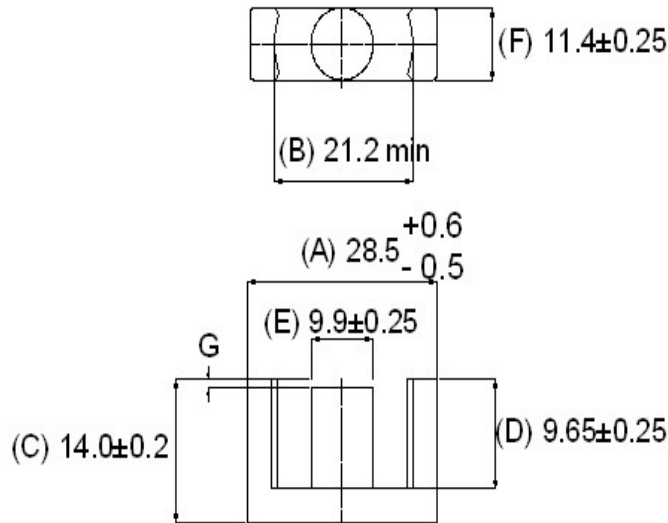
**Approximate weight (without Gap): 29.0g/Set**



## EER2811A Un-gapped (OL)

**Test Conditions: 1kHz/1mT/CFR COIL,N=100/25°C**

Material Grade	Initial Permeability ( $\mu_{iac}$ )	AL Value (nH)/Set	Approx $\mu_e$	$P_v$ (W/set)	Ordering code
CF139	2100 $\pm$ 20%	2900 +30%/-20%	$\approx$ 1710	$\leq$ 0.53(100mT, 100kHz, 100°C)	CF139 EER2811A OL



For Cosmo Ferrites Limited-INDIA

Checked By: A.K.  
 Approved By: B.S.  
 Authorized By: KSR  
 Date: 31-05-2014(ISSUE NO.1)

Customer's Approval

Authorized Signatory:

Name:

Date:



SEMIC TRADE, s.r.o.

Volutová 2521/18

158 00 Praha 5

Czech Republic

[www.semic.cz](http://www.semic.cz)

[semic@semic.cz](mailto:semic@semic.cz)

tel.: +420 251 625 331, 332, 377

fax: +420 251 626 252, 393

For general terms and conditions please visit: [http://www.cosmoferrites.com/Downloads/Downloads/bcb70e7c-ae33-40ec-a881-0d5120db57b6\\_GTC.pdf](http://www.cosmoferrites.com/Downloads/Downloads/bcb70e7c-ae33-40ec-a881-0d5120db57b6_GTC.pdf)