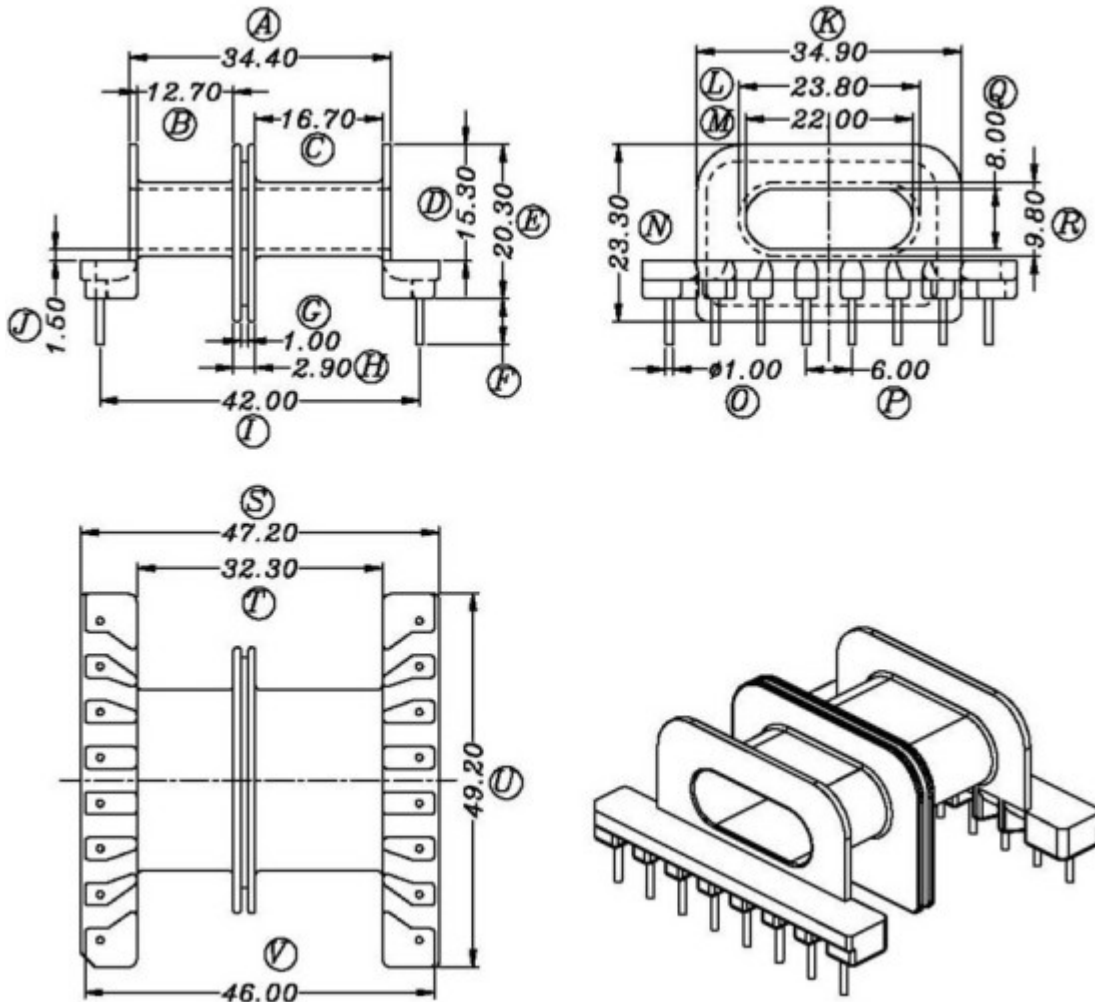
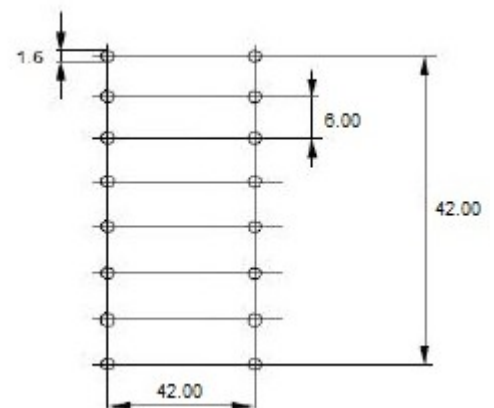


Lj EFF5050h 16p 2s



Hole arrangement
View in mounting direction



Note:

- (1) All dimensions are in mm
- (2) y = Material Code *)
- (3) x = Temperature Class *)
- (4) Tolerance for all dimension:
 $0 < L \leq 4: \pm 0,2 \text{ mm}$
 $4 < L \leq 16: \pm 0,3 \text{ mm}$
 $16 < L \leq 63: \pm 0,4 \text{ mm}$
- (5) Pin material: CP wire
- (6) Tolerance of Pin Pitch: ($\pm 0,2 \text{ mm}$)
- *) Specification according to BOBBIN-MATERIALS