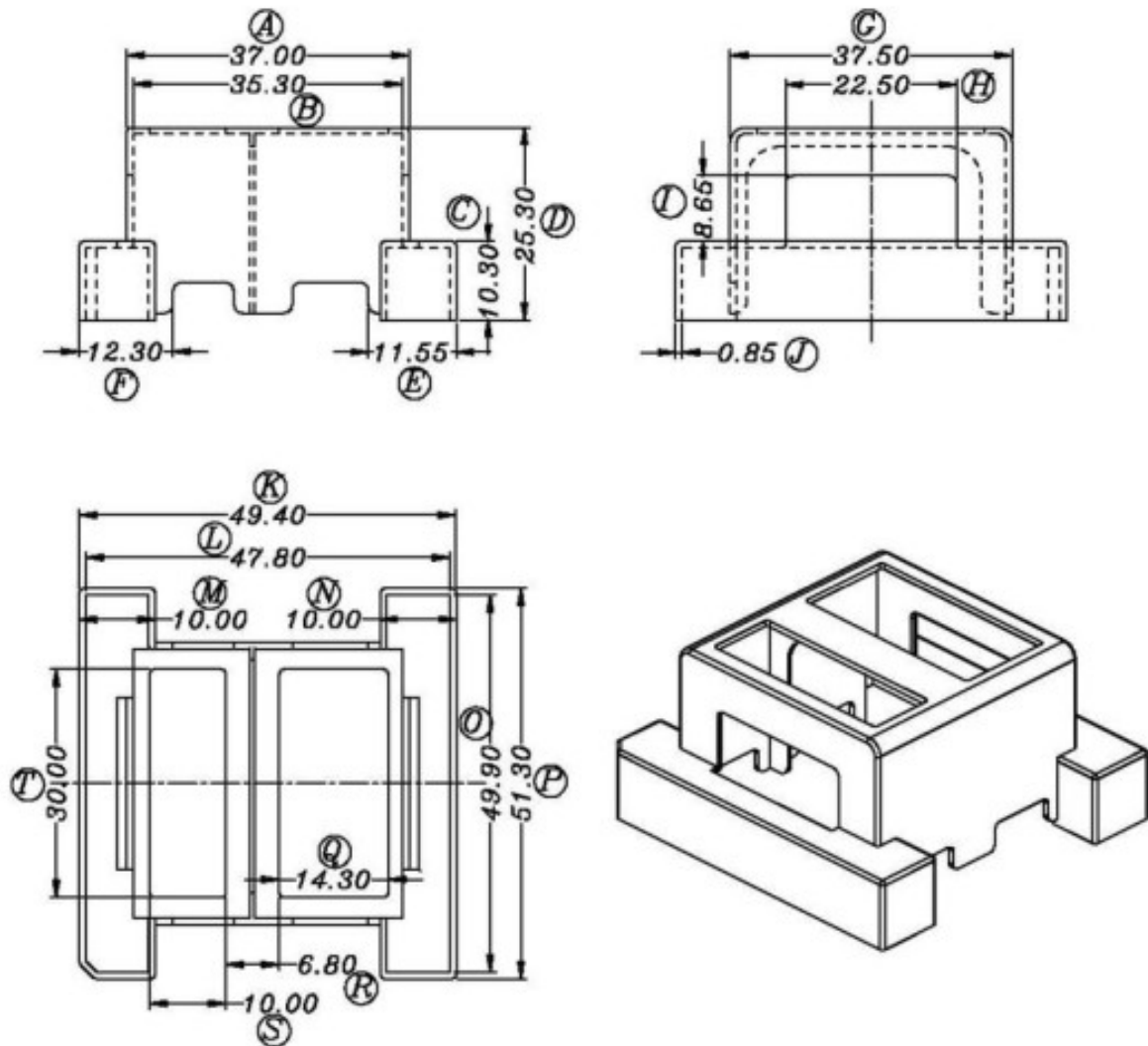


Lj EFF5050cover 2s fF


Note:

(1) All dimensions are in mm

(2) y = Material Code *)

(3) x = Temperature Class *)

(4) Tolerance for all dimension:

 $0 < L \leq 4: \pm 0,2 \text{ mm}$
 $4 < L \leq 16: \pm 0,3 \text{ mm}$
 $16 < L \leq 63: \pm 0,4 \text{ mm}$

(5) Pin material: CP wire

 (6) Tolerance of Pin Pitch: ($\pm 0,2 \text{ mm}$)

*) Specification according to BOBBIN-MATERIALS