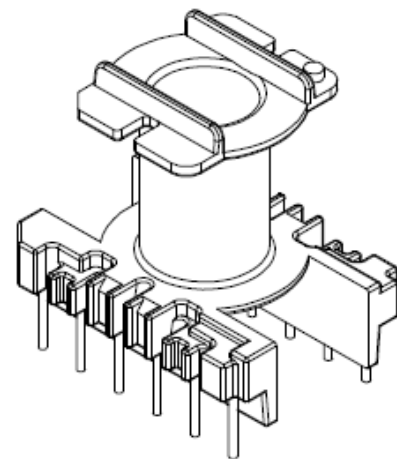
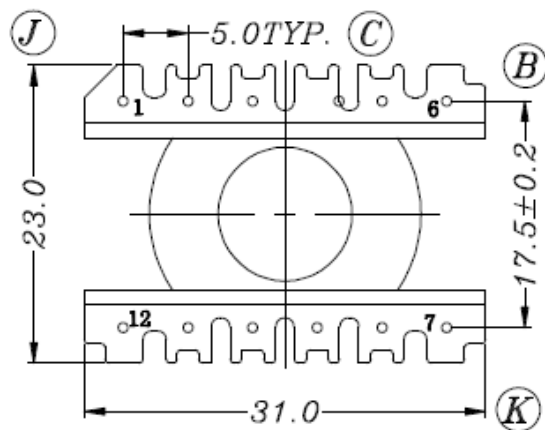
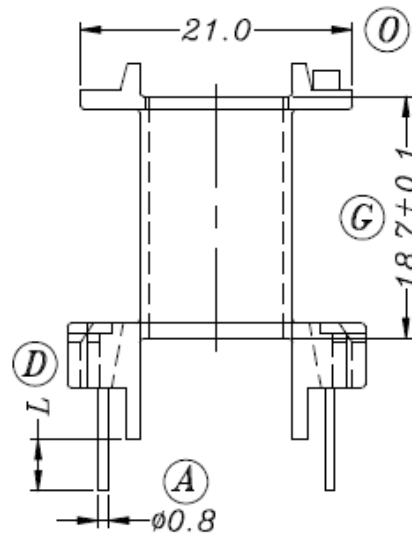
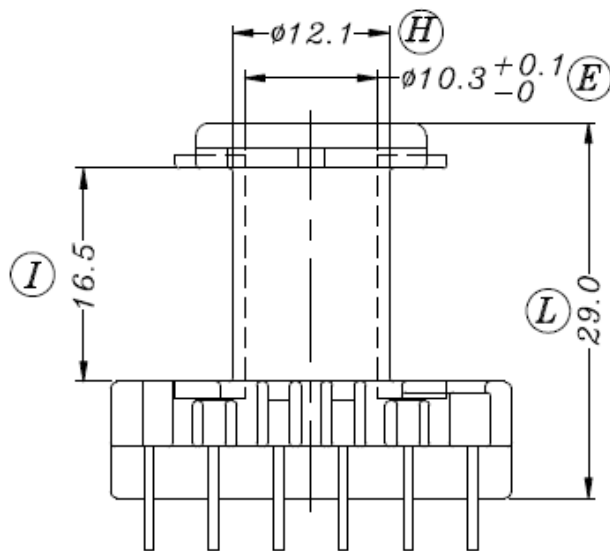


## Lj ER2811Av 12p 1s/b



**Note:**

- (1) All dimensions are in mm
- (2) y = Material Code \*)
- (3) x = Temperature Class \*)
- (4) Tolerance for all dimension:  
 $0 < L \leq 4: \pm 0,2$  mm  
 $4 < L \leq 16: \pm 0,3$  mm  
 $16 < L \leq 63: \pm 0,4$  mm
- (5) Pin material: CP wire
- (6) Tolerance of Pin Pitch: ( $\pm 0,2$  mm)
- \*) Specification according to BOBBIN-MATERIALS

